



DC Tromb 400 H Asbest

Part No 94235 -B

Original instructions
Originalbetriebsanleitung
Alkuperäinen käyttöohje



CAUTION!
ACHTUNG!
HUOMIO!

Please read the operating instructions carefully before using the machine.

Bitte lesen Sie die Betriebsanleitung vor Inbetriebnahme der Maschine sorgfältig durch.

Lue nämä käyttöohjeet huolellisesti ennen koneen käyttöä.

Dustcontrol reserves the right to change specifications without notice and is under no obligation to alter previously delivered products. Dustcontrol is not responsible for errors or omissions in this user instruction.

Keine Gewähr für Druckfehler. Produktänderungen vorbehalten.

Dustcontrol pidättää oikeuden muuttaa tuotteen ominaisuuksia ilman ennakoilmoitusta. Velvollisuutta muuttaa aiemmin toimitettuja tuotteita ei ole. Dustcontrol ei ole vastuussa tämän asiakirjan virheistä tai puutteista.

Manufacturer/Hersteller/Valmistaja:

Sold by/Verkauft von/Myyjä:

Dustcontrol AB
Box 3088, Kumla Gårdsväg 14
SE-145 03 Norsborg
Tel: + 46 8 531 940 00
support@dustcontrol.se
www.dustcontrol.com

Contents

Safety Considerations _____	4-5	Warranty _____	12
Technical Data _____	5-6	Troubleshooting _____	13
Description _____	6-7	Spare Parts _____	34-35
Operation _____	8	EC Declaration _____	36
Service _____	8-11	Dustcontrol Worldwide _____	37
Safety-Related Accessories Included _____	12		

Inhaltverzeichnis

Sicherheitsvorschriften _____	14-15	Gewährleistung _____	22
Technische Daten _____	15-16	Fehlersuche _____	23
Funktionsbeschreibung _____	16-17	Ersatzteile _____	34-35
Betrieb _____	18	EG-Erklärung _____	36
Wartung _____	18-21	Dustcontrol Worldwide _____	37
Mitgeliefertes sicherheits- relevantes Zubehör _____	22		

Sisältö

Turvallisuusmääräykset _____	24-25	Takuu _____	32
Tekniset tiedot _____	25-26	Vianmääritys _____	33
Kuvaus _____	26-27	Varaosat _____	34-35
Käyttö _____	28	EU-vaatimustenmukai- suusvakuutus _____	36
Huollot _____	28-31	Dustcontrol Worldwide _____	37
Turvallisuuden kannalta tärkeät lisävarusteet _____	32		

Safety Considerations

Read and follow these instructions before using the machine.

DC Tromb H Asbestos:

CAUTION! Do not use the machine until you have read the operating instructions. Read and follow these instructions before using the machine. Information, instructions and training in the use of the dust extraction machine and the dusts to be separated should be obtained before use.

Caution! When using electrical machinery, the following basic safety precautions should always be followed in order to reduce the risk of an electric shock, personal injury or fire.

1. Important!

No hot or glowing particles should be sucked into the machine. The machine is not suitable for explosive, unstable or self-igniting particles or dusts.

— **WARNING!** The machine may only be operated by persons who have received adequate instruction in its operation.

— **WARNING!** This machine is for dry use only.

— **CAUTION!** This machine is for indoor use only.

— **CAUTION!** The machine must be stored indoors.

DC Tromb H Asbestos:

— **CAUTION!** The machine is not suitable for connection to dust-generating machinery.

2. Work area environment

The machine must not be exposed to rain. The machine must not be used in damp or wet locations, or in the vicinity of combustible liquids or gases.

3. Overload

Never allow the machine to operate fully throttled (the pressure gauge needle is in the red zone), as this poses a risk of overheating. Do not use the machine for purposes for which it is not intended. Always follow the regulations pertinent to the material you are working with.

This machine is equipped with a thermal switch

to protect vital components from overheating. If the machine cuts out, it will automatically restart after approximately 5 minutes. To ensure free airflow through the machine, switch it off and unplug the power cord. Then check the suction casing, hose, cyclone inlet, discharge arrangement (Intellibag, Longopac or container) and filters for any blockages. Remove any blockages. Start the dust extractor.

4. Bodily injury

Never allow the suction to come into contact with any part of the body. The strong suction effect can damage the blood vessels in the skin. Do not attempt to repair the electrical components yourself. A mistake could be fatal!

5. Protect the power cord

Never pull the machine by its power cord. Keep the power cord away from heat and sharp edges. Check the potential equalisation cables and power cord before using the machine. The machine must not be used if cables or plugs are damaged. No extension leads, coupling connectors or adapters should be used for connection to the mains supply.

6. Important information

Turn off the main switch and unplug from the mains before cleaning or performing maintenance on the machine. Caution! Machine for dry cleaning only and not for use outdoors (EN 292).

The machine is only intended for the vacuuming of dust deposits and is not to be used as a dust collector. Do not vacuum any liquids or burning materials.

Temperature range: -10°C to 60°C.

7. Care of the machine

Keep the machine clean and free of dust deposits. Check that the hose is undamaged and that all seals are intact. Follow all maintenance instructions. Keep handles dry and free of oil and grease.

8. Checking for damage

Always check the machine carefully for damage before use. Any damaged parts must be repaired by a Dustcontrol authorised service centre.

If the power cord is damaged, it must be replaced by the manufacturer, its service agent or similarly qualified persons, in order to avoid any hazards. The mains cable may only be replaced with the specified type.

Safety Considerations

9. Transportation

The container must be emptied before the machine is transported. The front wheel is fitted with a brake that must always be locked when the machine is stationary.

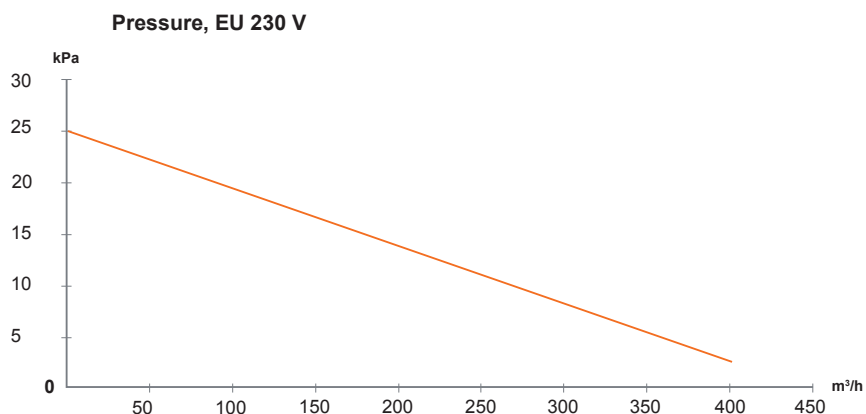
This machine must not be operated by children. Persons with reduced physical, sensory or mental capabilities may not operate the machine unless they receive instruction from, and are supervised by, a person who is responsible for their safety.

10. Warnings

Only use accessories and replacement parts that are available in the Dustcontrol catalogue. The machine may leak hazardous dust that can cause damage to health if defective or pirated spare parts (especially filters and plastic sacks) are used.

The machine is suitable for commercial use, for example in hotels, schools, hospitals, factories, shops, offices and rental businesses.

Technical data



Technical data

	DC Tromb 400 H
HxWxL	1360 x 600 x 700 mm
Weight	51 kg/110lb
Inlet	Ø 76 mm/3 in
Container	40 l
Hose, recommended max	5-20 m
Flow max open inlet	400 m ³ /h // 235 ft ³ /m
Flow max, fan	420 m ³ /h // 247 ft ³ /m
Flow (with 5 m, Ø 50 mm hose)	300 m ³ /h
Minimum Flow	150 m ³ /h
Negative pressure, max	25 kPa
Power consumption	3000 W, 230 V/50 Hz, IP54
Fine filter, polyester	2.5 m ² /27 ft. ²
Degree of separation as per (EN 60335-2-69, Class M)	99.9 %
HEPA filter area	2.2 m ² /24 ft. ²
Degree of separation, HEPA filter (EN 60335-2-69, Class H)	99.995 %
(EN 1822-1) HEPA H13	99,95 %
Sound level*/	70 dB(A)

*/ Sound pressure level +/- 2 dB(A) at a height of 1.6 m and a distance of 1 m according to DIN EN ISO 3744 at maximum airflow.

Machine for the vacuuming of dry, health-hazardous, non-combustible Class H dusts. Includes demolition, renovation & maintenance work according to German Technical Rules for Hazardous Substances TRGS 519.

The sample unit, when used for the intended purpose, is thus suitable for the separation of dry, health-hazardous, non-combustible dust of all exposure limit values (dusts with ELVs and dusts of carcinogenic substances as per the German Hazardous Substances Ordinance GefStoffV).

Description, DC Tromb 400 H

The DC Tromb 400 H is an electrically operated dust extractor for large cleaning jobs.

The extractor operates with negative pressure. Separation of the coarse particles takes place in the cyclone, and separation of the fine dust in the filter unit.

The material is separated into a container that is attached directly to the cyclone. The filter is cleaned using reverse pulse.

The material that has been vacuumed up and filtered is collected in a container with a plastic sack insert (part no. 42285H). The container can be detached from the machine by releasing the toggle fasteners, thus making it easy for the material to be disposed of.

The filter cleaning by means of reverse pulse ensures longer suction performance.



CAUTION! This machine contains hazardous dust. Emptying and maintenance operations, including the removal of dust collection containers, may only be carried out by specialist personnel who must wear the appropriate protective equipment. Do not operate the machine without the complete filtration system in place.

Description, DC Tromb 400 H

General Requirements

If it is possible that asbestos fibres may be released, then they must be captured at their point of escape or their source, then disposed of without any hazard for persons or the environment, in line with the latest state of the art.

If complete capture is not possible, then additional state-of-the-art ventilation measures must be put in place.

Once work has been completed, tools, including suction lines, working materials and the work area must be cleaned carefully.

Any items contaminated with asbestos fibres that cannot be cleaned satisfactorily must be wetted and disposed of correctly.

After cleaning, the working area must be sufficiently ventilated.

Special requirements for industrial dust extractors: Extracted air must be carried or cleaned in such a way that asbestos fibres cannot enter the air breathed in by other workers.

Any dust generated must be transported in dust-tight containers. Refilling these containers is not permitted.

The asbestos fibre content of the air discharged into the open air must not exceed 1000 F/m³.

This machine is a type-tested industrial dust extractor and fulfils this criterion.

The work area must have a sufficient supply of air from outside (fresh air).

For activities involving materials that contain asbestos, the recirculation of cleaned exhaust air into work areas is generally prohibited.

For the following tasks using this industrial dust extractor, the recirculation of cleaned exhaust air is permitted:

1. Activities with low exposure as per TRGS 519*, number 2.8 in closed space or small-scale work as per TRGS 519*, number 2.10;
2. Cleaning tasks.

This industrial dust extractor must be serviced as required, however, as a minimum at least once a year, and if necessary, repaired and inspected by an expert (for qualification, see TRGS 519*, Section 5.3 Para. 2), or by a maintenance company. The inspection result must be submitted on request.

Industrial dust extractors that have been used in a contaminated zone may only be used in a decontaminated or clean zone after they have been fully cleaned, including cleaning of the motor housing. For motors with a bypass cooling system, the cooling ducts should also be cleaned.**

*Applies to Germany.

** Switzerland: Industrial vacuum cleaners for asbestos removal may not be used for other renovation work after further use.

Operation

DC Tromb 400 H:

If the machine is used regularly, or if the filter indicator light is red, the filters should be cleaned as follows:

1. Start the machine.
2. Close the shutter valve on the cyclone inlet.
3. Switch the cleaning switch ON and then after 2-3 minutes, switch it OFF. (The machine cleans the filter in pulsating steps).
4. Re-open the shutter valve on the inlet.
5. If the filter indicator light remains on, repeat the cleaning procedure.

If repeated filter cleaning is unsuccessful, the fine filter must be changed.

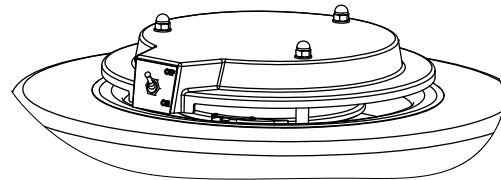
If the machine is used every day, the filter should be cleaned once or twice a day. Filter cleaning is performed during work breaks.

Some operations (i.e. those that restrict airflow) can cause the pressure gauge to indicate red, even when the filter is clean. The machine should never be operated permanently when the indicator is in the red zone, as this poses a risk of overheating.

The container under the cyclone should be emptied when it is two-thirds full. It may only be filled up to a maximum weight of 20 kg. After disposing of the dust, the maintenance area should be cleaned.

The DC Tromb 400 H can be equipped with a connection for the fitting of an exhaust hose into the open air (diameter = 76 mm) (part no. 44076 optional accessories). Then, the exhaust air silencer behind the motor package is removed, the exhaust air box fitted with an air vent (additional accessory part) and the hose (Ø 76) secured using a hose clamp.

If the filter indicator light is lit, close the shutter and set the switch to ON for 4-7 pulses.



Service, DC Tromb 400 H

The following precautions should generally be taken before commencing any maintenance or servicing:

1. In order to prevent the spread of dust, the machine must be vacuumed and wiped clean, and the suction openings sealed off (e.g. with plugs) before it is removed from the contaminated area. Before the machine is moved, the filter should be cleaned and the dust collection container emptied (see description below).
2. All machines must be regarded as being contaminated if they are removed from the hazardous zone. Appropriate measures must be taken to prevent the spread of dust.
3. When performing maintenance or repair operations, all contaminated items that have not been able to be cleaned satisfactorily must be disposed of. Such items must be disposed of in dust-proof bags, in accordance with the provisions applicable to the disposal of waste.
4. Clean the machine before disassembling it.
5. (Wherever possible), choose a room with filtered, forced ventilation.
6. Clean the maintenance area both before and after working.
7. Use suitable personal protective equipment.
8. The filter cartridges in the cyclone should be replaced as necessary, and at least once a year. Only use original filters (part nos. 44016 H + 44017 H).

Service, DC Tromb 400 H

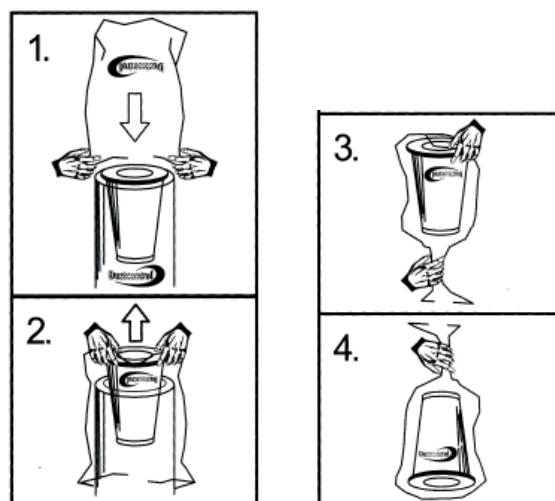
9. The machine should be disconnected from the power supply during cleaning and maintenance. Servicing should never take place in the zone area.
10. As these machines are used for the removal of dust that is hazardous to health, the functioning of each machine must be inspected by the manufacturer or a trained person at least once a year e.g. inspection of the filters for damage, checking of the air-tightness of the dust extraction machine and functioning of the control unit, as well as inspection of the electrical components, seals and potential equalisation cables for damage. Only use original spare parts!

The **fine filter** (filter cartridge) sits below the HEPA filter ring. If this has been removed as described above, the fine filter can be removed. Pull the plastic sack or disposal bag (supplied with new original filter) over the cyclone sleeves and the fine filter cartridge into the sack (see diagram).

NOTE! Do not use any tool/instrument when replacing the filter, as this may damage the filter's sealing surface.

Changing the collection sack

To empty the dust collection container, carefully release the retaining hooks one at a time, so as to prevent dust from being stirred up unnecessarily. After lowering the container, switch the dust extractor on again so that any floating particles are sucked into the filter cyclone. The container can now be completely removed from the machine. Then carefully remove the plastic sack from the edge of the bin and immediately seal it tight. Carefully remove the full plastic sack from the container, trying not to damage it in the process. Insert a new plastic sack and carefully fit the open end over the rim of the bin. Make sure that there are no folds and that the sack is not damaged. Then carefully place the bin back under the extraction unit, attach the fasteners, switch off the machine, re-attach the bin to the machine and check for leaks.



Filter replacement (fine filter + HEPA filter + motor cooling filter)

The fine filter should be replaced at least once a year. HEPA filters should be replaced after every 300 hours of operation. Wear a dust mask when replacing the filters. Only use original filters.

Open the top of the cyclone by opening the 3 fasteners secured with screws. Release the top and lift it off. The **HEPA filter** (filter ring) sits above the fine filter cartridge. Place a disposal bag (supplied with new original filter) around the HEPA filter and remove it. Use cable ties to seal the bag shut and dispose in accordance with local regulations. Fit a new HEPA filter (see diagram on the page after next) by fitting it with the sealing ring located centrally on the fine-filter plate. The correct position is determined by the centred fitting of the cyclone head.

Service, DC Tromb 400 H

Cleaning the filter holder plate. When installing the new filter, check that the filter seal is evenly seated on the holder plate. After installing the fine filter, the HEPA filter must be fitted before top is put on and clamped in place. Secure the fasteners with the screws.

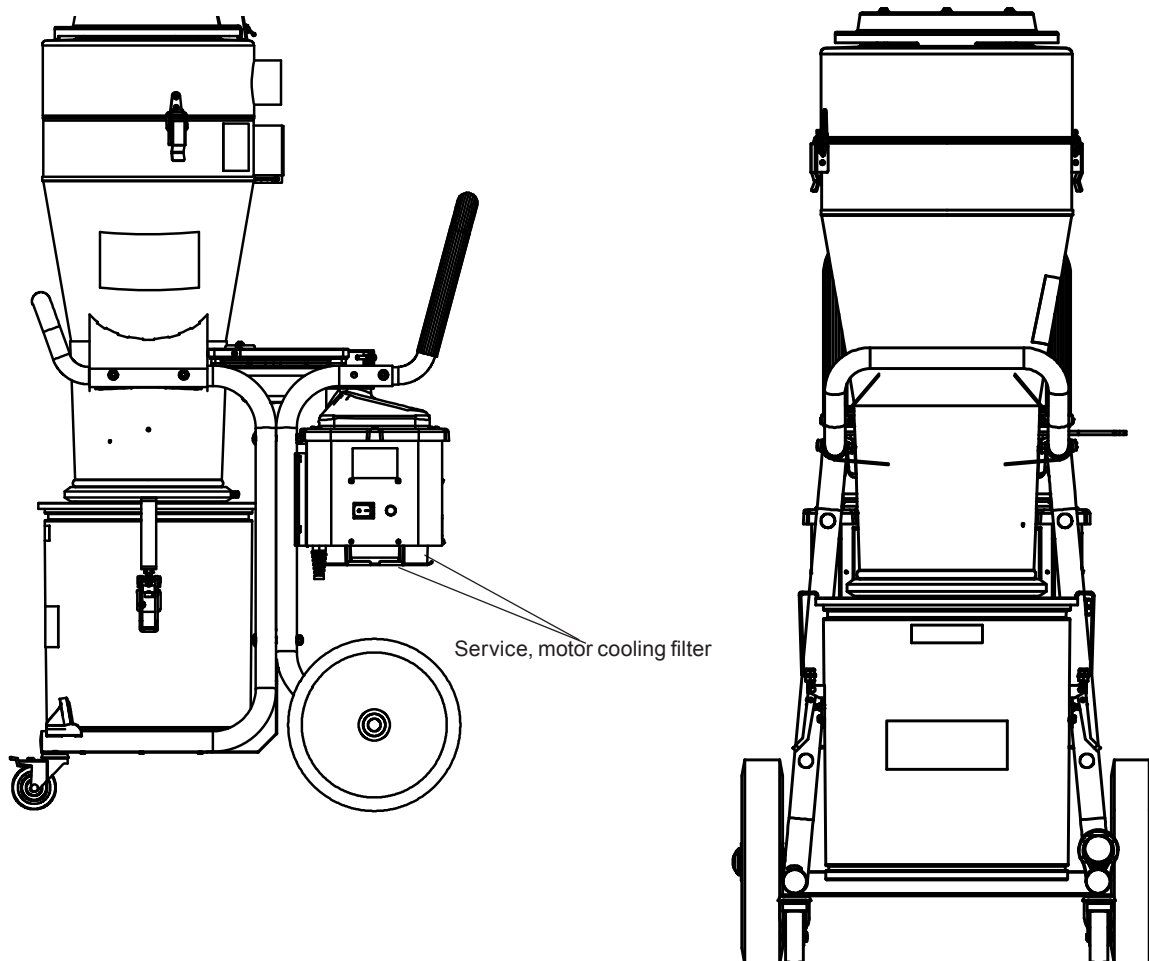
- CAUTION! Do not re-use the main filter once it has been removed from the machine.

The **motor cooling filter** sits to the right and left under the motor box (see diagram). It should be replaced as required (otherwise the extractor will switch itself off due to rapid overheating). The filter is changed by simply pulling it straight out into a disposal bag (e.g. the packaging bag of the new filter).

Caution

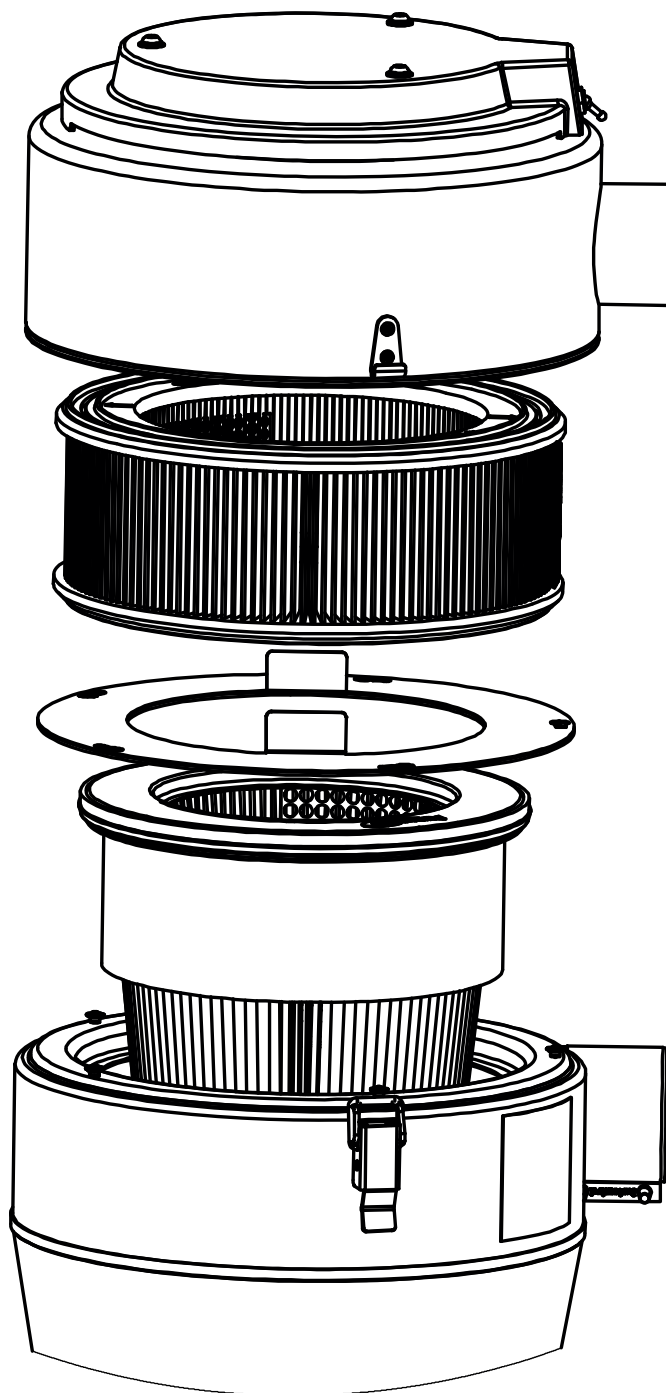
The manufacturer or a trained person must carry out an inspection at least annually to check, for example, for damage to the filters, the air-tightness of the dust extraction machine and the functioning of the control unit.

The *vacuum producer* has a long service life and requires no maintenance. If any other wear is detected, the parts concerned should be replaced. The seals should be inspected after approximately 1,000 hours of operation. These parts must be replaced if wear is detected.



Service, DC Tromb 400 H

Changing the filters:



Fit the HEPA filter so that it is located centrally and check that the seal is evenly seated by rotating the filter.

Safety-related accessories included

DC Tromb 400 H Asbest

Description	Part No.
Fine filter 44017 H	
HEPA filter	44016 H
Round bottom sack	42285 H
Motor cooling filter	44034 H

For other accessories, please see the Dustcontrol catalogue.

Can be ordered:

Inlet plug	42250 H
Outlet Ø 76	44076

We can supply all safety-related spare parts and wearing parts.

Dustcontrol UK Ltd.
7 Beaufort Court,
Roebuck Way, Knowlhill
Milton Keynes MK5 8HL

Tel: +44 1327 858001, sales@dustcontrol.co.uk
www.dustcontrol.co.uk

Warranty

The warranty period for this machine is 2 years (for single-shift operation) and covers manufacturing defects. The warranty is only valid provided that the machine is used and maintained in accordance with the instructions.

Normal wear is not covered by this warranty. The machines may only be repaired by DUSTCONTROL or its authorised workshops. The warranty will otherwise be invalidated.

Troubleshooting

Problem	Fault	Solution
The motor will not start.	Machine not connected to power supply. Incorrect phase.	Connect to power supply. Change phase.
The motor stops immediately after starting.	Incorrect fuse.	Fit correct fuse.
The motor runs, but there is no suction.	Hose not connected. Hose is blocked.	Connect the hose. Remove the blockage.
DC Tromb 400 H	No collection container fitted to the cyclone.	Fit the container.
	The container is not correctly fitted to the cyclone.	Fit the container correctly.
The motor runs, but suction is poor.	Hole in the hose. Clogged filter. Hose too long or too small. Hose is partially blocked.	Change the hose. Clean or replace filter. Change the hose. Unblock the hose.
	Upper part of the machine is not correctly fitted. Dust has accumulated in the cyclone.	Fit correctly. Remove top and clean the cyclone.
	One of the fans is damaged or has become loose.	
Abnormal sound from the machine.		Book a service.
Dust extractor stops.	Overheating.	To protect system-relevant components, this dust extractor is equipped with a thermal switch. If the machine cuts out, it will automatically restart after approximately 5 minutes. To ensure free airflow through the machine, switch it off and unplug the power cord. Then check the suction casing, hose, cyclone inlet, discharge arrangement (Intellibag, Longopac or container) and filters for any blockages. Remove any possible blockages. Start the dust extractor.

Sicherheitsvorschriften

Lesen und beachten Sie diese Hinweise, bevor Sie die Maschine benutzen.

DC Tromb H Asbest:

VORSICHT! Benutzen Sie das Gerät nicht, ohne die Gebrauchsanweisung gelesen zu haben. Lesen und beachten Sie diese Hinweise, bevor Sie die Maschine benutzen. Vor dem Gebrauch sollten Informationen, Anweisungen und Schulungen zur Benutzung der staubbeseitigenden Maschine und der abzuscheidenden Stäube eingeholt werden.

Achtung! Beim Gebrauch von elektrischen Maschinen sind zum Schutz gegen elektrischen Schlag, Verletzungs- und Brandgefahr folgende grundsätzliche Sicherheitsmaßnahmen zu beachten.

1. Wichtig!

Es dürfen keine heißen oder glühenden Teilchen eingesaugt werden. Die Maschine ist nicht für explosive, instabile und selbstentzündliche Partikel oder Stäube geeignet.

— **WARNUNG!** Die Maschine darf nur von Personen eingesetzt werden, die sorgfältig in die Handhabung eingewiesen sind.

— **WARNUNG!** Nutzen Sie diese Maschine nur zum Aufsaugen trockener Stäube.

— **ACHTUNG!** Diese Maschine darf nur im Innenbereich eingesetzt werden.

— **ACHTUNG!** Die Maschine muss im Innenbereich gelagert werden.

DC Tromb H Asbest:

— **ACHTUNG!** Die Maschine ist nicht geeignet zum Anschluss an stauberzeugende Maschinen.

2. Berücksichtigen Sie die Umgebungseinflüsse

Setzen Sie die Maschine nicht dem Regen aus. Benutzen Sie diese Maschine nicht in feuchter oder nasser Umgebung und nicht in der Nähe von brennbaren Flüssigkeiten oder Gasen.

3. Überlastung der Maschine

Lassen Sie die Maschine nie völlig gedrosselt laufen, (die Filteranzeige steht auf rot) da sonst

eine Überhitzung auftreten kann. Verwenden Sie die Maschine nur für Arbeiten für die sie bestimmt ist. Befolgen Sie die Vorschriften zur Handhabung des abgesaugten Materials.

Um systemrelevante Bauteile zu schützen, ist dieser Staubsauger mit einem Thermoschalter ausgestattet. Falls es zu einer Abschaltung kommen sollte, ist die Dauer zum automatischen Neustart des Gerätes ca. 5 min. Um einen freien Luftstrom durch den Staubsauger sicher zu stellen, schalten Sie die Maschine mit dem Stromschalter am Gerät erst Mal ab. Danach überprüfen Sie Saugkappe, Schlauch, Einlass am Zyklon, Materialaustrag und Filter auf Verstopfung. Entfernen Sie ev. Verstopfung. Starten Sie den Staubsauger.

4. Verletzungsgefahr

Vermeiden Sie Körperkontakt mit den Saugdüsen. Die kräftige Saugwirkung kann die Blutgefäße der Haut verletzen. Nehmen Sie niemals selbst Eingriffe an den elektrischen Teilen vor. Ein Fehler kann lebensgefährlich sein.

5. Schützen Sie das Kabel

Ziehen Sie die Maschine nicht am Kabel. Schützen Sie das Kabel vor Hitze und scharfen Kanten. Kontrollieren Sie vor Einsatz der Maschine die Kabel für den Potentialausgleich und das Netzkabel. Die Maschine darf nicht eingesetzt werden, wenn Kabel oder Stecker beschädigt sind. Zum Netzanschluss dürfen Verlängerungen, Kupplungssteckvorrichtungen und Adapter nicht verwendet werden.

6. Wichtiger Hinweis

Zum Reinigen und Warten der Maschine Hauptschalter ausschalten und Netzstecker ziehen. Achtung! Gerät nur zur Trockenreinigung und nicht im Freien verwenden (EN 292). Das Gerät ist nicht als Entstauber einsetzbar, sondern dient nur zum Aufsaugen von abgelagerten Stäuben. Keine Flüssigkeiten und brennende Materialien aufsaugen. Temperaturbereich: -10°C bis 60°C

7. Pflegen Sie die Maschine mit Sorgfalt

Halten Sie die Maschine sauber und staubfrei. Achten Sie darauf, dass der Saugschlauch intakt ist und dass alle Dichtungen dicht sind. Befolgen Sie die Wartungsvorschriften. Halten Sie die Tragegriffe trocken und frei von Öl und Fett.

Sicherheitsvorschriften

8. Kontrolle von Beschädigungen

Überprüfen Sie vor jeder Inbetriebnahme die Maschine auf Beschädigungen. Gibt es Beschädigungen muss die Maschine von einer von Dustcontrol autorisierten Kundendienstwerkstatt repariert werden.

Wenn das Netzkabel beschädigt ist, muss es vom Hersteller, dessen Kundendienst oder einer ähnlich qualifizierten Person ersetzt werden, um Gefährdungen zu vermeiden. Die Netzanschlussleitung darf nur durch den angegebenen Typ ersetzt werden.

9. Transport

Vor Transport der Maschine muss der Behälter entleert werden. Das Vorderrad hat eine Bremsvorrichtung, die bei Stillstehen immer benutzt werden muss.

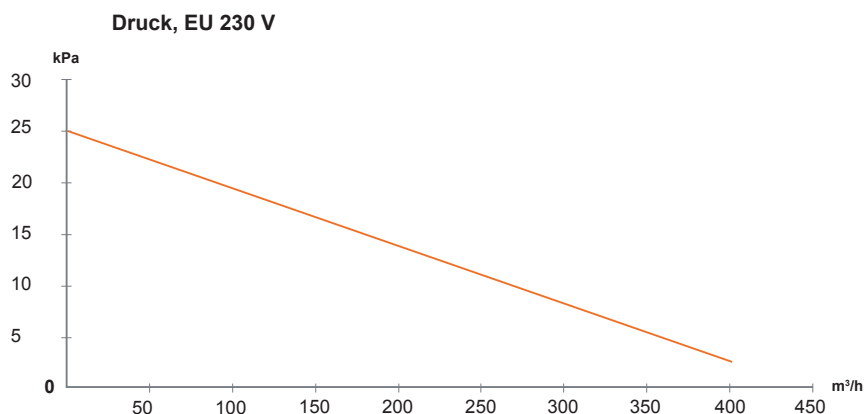
10. Warnung

Benutzen Sie nur Zubehör und Austauschteile die im Dustcontrol Katalog erhältlich sind. Beim Einsatz von fehlerhaften Teilen oder Piratteilen (vor allem Filter und Plastiksäcke) kann aus der Maschine gesundheitsgefährlicher Staub austreten, der Gesundheitsschäden verursachen kann.

Diese Maschine darf nicht von Kindern betrieben werden. Personen mit reduzierten physischen, sensorischen oder mentalen Fähigkeiten dürfen die Maschine nur betreiben, wenn Sie eine Einweisung und Beaufsichtigung durch eine Person erhalten, die für deren Sicherheit zuständig ist.

Die Maschine ist für den gewerblichen Gebrauch geeignet, wie z.B. in Hotels, Schulen, Krankenhäusern, Fabriken, Läden, Büros und Vermietungsgeschäften.

Technische Daten



Technische Daten

	DC Tromb 400 H
HxBxL mm	1360 x 600 x 700 mm
Gewicht	51 kg
Einlass	Ø 76 mm
Behälter	40 l
Schlauch, empfohlen max	5-20 m
Luftmenge max, offener Einlass	400 m³/h
Luftmenge max, Gebläse	420 m³/h
Luftmenge (mit 5 m, Ø 50 mm Schlauch)	300 m³/h
Mindest –Luftmenge	150 m³/h
Unterdruck max	25 kPa
Leistungsaufnahme	3000 W, 230 V/50 Hz, IP54
Feinfilter Polyester	2,5 m²
Abscheidegrad nach (EN 60335-2-69, Klasse M)	99,9 %
Filterfläche Mikrofilter	2,2 m²
Abscheidegrad Mikrofilter (EN 60335-2-69, Klasse H)	99,995 %
(EN 1822-1) HEPA H13	99,95 %
Geräuschpegel*/	70 dB(A)

*/ Schalldruckpegel +/- 2 dB(A) in einer Höhe von 1,6 m und mit Abstand 1 m nach DIN EN ISO 3744 bei maximaler Luftmenge.

Gerät zum Aufsaugen trockener, gesundheitsgefährlicher, nicht brennbarer Stäube der Staubklasse H. Einschließlich ASI-Arbeiten nach TRGS 519.

Damit ist das Prüfmuster bei bestimmungsgemäßer Verwendung geeignet zum Abscheiden von trockenem, gesundheitsgefährlichem, nicht brennbarem Staub mit allen Expositions-Grenzwerten (Stäube mit AGW's und Stäube krebserzeugender Stoffe nach GefStoffV).

Funktionsbeschreibung DC Tromb 400 H

Der DC Tromb 400 H ist ein elektrisch betriebenes Staubsaugaggregat für große Reinigungsarbeiten.

Der Sauger arbeitet mit Unterdruck. Die Abscheidung der Grobpartikel erfolgt im Zyklon, die Abscheidung des Feinstaubes erfolgt in der Filtereinheit.

Das Material wird in einen Behälter, der direkt am Zyklon angebracht ist abgeschieden. Die Filterabreinigung erfolgt mittels Luftimpuls.

Das abgesaugte und ausgefilterte Material wird in einem Behälter mit eingelegtem Plastiksack, Art. Nr. 42285 H aufgesammelt. Der Behälter lässt sich durch Öffnen der Spannverschlüsse von der Maschine trennen und das Material kann daher entsorgt werden.

Die Filterabreinigung mittels Luftimpuls sorgt für längere Saugleistung.



ACHTUNG: Dieses Gerät enthält gesundheitsschädlichen Staub, Leerungs- und Wartungsvorgänge, einschließlich der Beseitigung der Staubsammelbehälter, dürfen nur von Fachleuten durchgeführt werden, die entsprechende Schutzausrüstung tragen. Nicht ohne das vollständige Filtrationssystem betreiben.

Funktionsbeschreibung DC Tromb 400 H

Allgemeine Anforderungen

Besteht die Möglichkeit, dass Asbestfasern frei werden, so sind diese an der Austritts- oder Entstehungsstelle zu erfassen und anschließend ohne Gefahr für Mensch und Umwelt nach dem Stand der Technik zu entsorgen.

Ist eine vollständige Erfassung nicht möglich, so sind die dem Stand der Technik entsprechenden zusätzlichen Lüftungsmaßnahmen zu treffen.

Zum Abschluss der Arbeiten sind Arbeitsgeräte einschließlich Absaugleitungen, Arbeitsmittel und der Arbeitsbereich sorgfältig zu reinigen.

Mit Asbestfasern verunreinigte Gegenstände, die nicht gereinigt werden können, sind anzufeuchten und ordnungsgemäß zu beseitigen.

Nach der Reinigung ist der Arbeitsraum ausreichend zu lüften.

Besondere Anforderungen an Industriestaubsauger und Entstauber Abgesaugte Luft muss so geführt oder gereinigt werden, dass Asbestfasern nicht in die Atemluft anderer Beschäftigter gelangen.

Dabei anfallender Staub ist in staubdichten Behältern zu transportieren. Ein Umfüllen ist nicht zulässig.

Der Asbestfasergehalt in der ins Freie abgeleiteten Luft darf 1000 F/m³ nicht überschreiten. Diese Maschine ist ein baumustergeprüfter Industriestaubsauger bzw. Entstauber und erfüllt dieses Kriterium.

Es ist sicherzustellen, dass der Arbeitsraum mit ausreichend Außenluft (Frischluft) versorgt wird.

Bei Tätigkeiten mit asbesthaltigen Materialien ist eine Rückführung gereinigter Abluft in Arbeitsräume grundsätzlich nicht zulässig.

Bei folgenden Tätigkeiten ist mit diesem Industriestaubsauger bzw. Entstauber eine Rückführung gereinigter Abluft zulässig:

1. Tätigkeiten mit geringer Exposition gemäß TRGS 519*, Nummer 2.8 in geschlossenen Räumen oder Arbeiten geringen Umfangs nach TRGS 519*, Nummer 2.10,
2. Reinigungsarbeiten.

Dieser Industriestaubsauger bzw. Entstauber ist nach Bedarf, mindestens aber einmal jährlich, zu warten, erforderlichenfalls instand zu setzen und durch fachkundige Person (Qualifikation siehe TRGS 519,* Nummer 5.3 Absatz 2) oder von einem Wartungsunternehmen zu prüfen. Das Prüfergebnis ist auf Verlangen vorzulegen.

Im Schwarzbereich eingesetzte Industriestaubsauger und Entstauber dürfen im Weißbereich nur nach vollständiger Reinigung, auch des Motorgehäuses, eingesetzt werden.

Bei Motoren mit Bypass-Kühlung sind auch die Kühlluftkanäle zu reinigen.**

* Gilt für Deutschland.

**Schweiz: Industriestaubsauger für Asbestsanierung dürfen im weiteren Gebrauch nicht für andere Sanierungsarbeiten verwendet werden.

Betrieb

Schließen Sie die Maschine entsprechend der auf dem Typenschild angegebenen Versorgungsspannung an. Der Anschluss muss mindestens spritzwassergeschützt sein!

DC Tromb 400 H:

Bei regelmässiger Verwendung oder falls die Filterindikationslampe Rot leuchtet, müssen die Filter wie folgt abgereinigt werden:

1. Starten Sie die Maschine.
2. Schliessen Sie das Schieberventil am Einlass des Zyklons.
3. Den Abreinigungsschalter EIN und nach 2-3 Min. AUS schalten. (Das Gerät reinigt den Filter in pulsierenden Schritten)
4. Öffnen Sie das Schieberventil am Einlass wieder.
5. Sollte die Filterindikationslampe noch immer leuchten, Abreinigung wiederholen.

Bringt auch wiederholte Filterreinigung keinen Erfolg, muß der Feinfilter gewechselt werden.

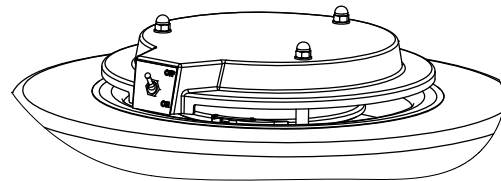
Bei täglicher Verwendung des Gerätes sollte die Filtereinheit 1 - 2 x / Tag gereinigt werden. Die Filterreinigung wird in den Arbeitspausen durchgeführt.

Bei einigen Verwendungszwecken (die den Luftstrom beschränken) kann die Filteranzeige rot zeigen. Die Maschine darf nie dauerhaft auf dem roten Bereich gefahren werden, da sonst Gefahr für Überhitzung besteht.

Der Behälter unter dem Zyklon sollte entleert werden wenn er zu 2/3 voll ist. Er darf maximal mit einem Gewicht von 20 kg gefüllt werden. Nach dem Entsorgungsvorgang ist der Wartungsbereich zu reinigen.

Der DC Tromb 400 H kann mit einem Anschluss zur Aufnahme eines Abluftschlauches ins Freie (Durchmesser = 76 mm) ausgestattet werden (Art. Nr. 44076 optionales Zubehör). Dann wird der Abluftschalldämpfer hinter dem Motorpaket abmontiert, der Abluftkasten mit Abluftstutzen (extra Zubehörteil) montiert und der Schlauch (Ø 76) mit einer Schlauchklemme befestigt.

Wenn die Filterindikationslampe leuchtet schließen Sie den Schieber und stellen den Schalter für 4-7 Abreinigungsimpulse auf EIN.



Wartung DC Tromb 400 H

Generell sind vor Beginn der Wartungsarbeiten folgende Vorsichtsmaßnahmen zu beachten:

1. Um eine Staubverteilung zu vermeiden, muss das Gerät, bevor es aus dem kontaminierten Bereich genommen wird, abgesaugt, sauber abgewischt und die Ansaugöffnungen durch Abdichtmittel wie Stopfen verschlossen werden. Davor sollte der Filter abgereinigt und der Sammelbehälter entleert werden (Beschreibung siehe unten).
2. Alle Geräte müssen als verunreinigt angesehen werden, wenn sie aus dem gefährlichen Bereich entnommen werden. Geeignete Maßnahmen müssen ergriffen werden, um eine Staubverteilung zu vermeiden.
3. Bei der Durchführung von Wartungs- oder Reparaturarbeiten müssen alle verunreinigten Gegenstände, die nicht zufriedenstellend gereinigt werden können, entsorgt werden. Solche Gegenstände müssen in staubundurchlässigen Beuteln in Übereinstimmung mit den gültigen Bestimmungen für die Beseitigung des Abfalls entsorgt werden.
4. Gerät vor dem Auseinandernehmen reinigen.
5. (Nach Möglichkeit) einen Raum mit gefilterter Zwangsentlüftung wählen.
6. Den Wartungsbereich vorher und nachher reinigen.

Wartung DC Tromb 400 H

7. Geeignete persönliche Schutzausrüstung verwenden.
8. Die Filterpatronen im Zyklon sollten bei Bedarf, mindestens jedoch einmal pro Jahr ausgetauscht werden. Verwenden Sie nur Originalfilter (Bestellnummer 44016 H + 44017 H).
9. Während der Reinigung und Wartung des Gerätes, sollte das Gerät von der Stromversorgung getrennt werden. Servicearbeiten sollten nie im Zonenbereich erfolgen.
10. Da die Geräte zum Entsorgen gesundheitsgefährdender Stäube eingesetzt werden, muss die Funktionsfähigkeit des Gerätes vom Hersteller oder einer ausgebildeten Person mindestens einmal im Jahr überprüft werden (z.B. Überprüfung der Filter auf Beschädigung, Kontrolle der Luftdichtheit der SBM und Funktion der Kontrolleinrichtung, sowie das Überprüfen der elektrischen Komponenten, Dichtungen und der Potentialausgleich-Kabel auf Beschädigungen. Verwenden Sie nur Original-Ersatzteile!

Wechsel Sammeleinrichtung

Zur Entleerung des Staubsammelbehälters sind die Spannhaken, einer nach dem anderen, vorsichtig zu lösen, damit nicht unnötig Staub aufgewirbelt wird. Nach Absenken des Behälters den Sauger wieder einschalten, damit werden Schwebeteilchen in den Filterzyklon eingesaugt. Nun kann der Behälter vollständig vom Gerät getrennt werden. Danach den Plastiksack vorsichtig vom Eimerrand streichen und sofort dicht verschließen. Den gefüllten Plastiksack vorsichtig ohne Beschädigungen aus dem Behälter ziehen. Anschließend einen neuen Plastiksack einsetzen und die Öffnung wieder vorsichtig über den Eimerrand streifen. Darauf achten, dass keine Falten entstehen und der Sack nicht beschädigt wird. Dann vorsichtig den Eimer unter das Sauggerät bringen, die Haken einhängen, das Gerät ausschalten und den Eimer wieder am Gerät befestigen und auf Dichtheit prüfen.

Filterwechsel (Feinfilter + Mikrofilter + Motorkühl-luftfilter)

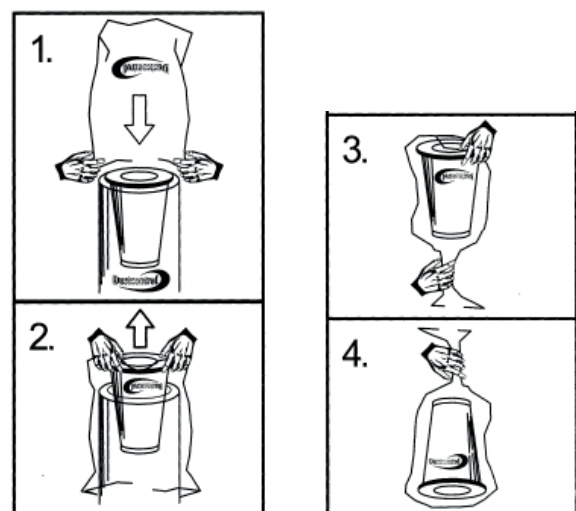
Der Feinfilter sollte mindestens einmal im Jahr ersetzt werden. Mikrofilter sollten jeweils nach 300 Betriebsstunden gewechselt werden. Verwenden Sie eine Staubmaske beim Wechsel der Filter. Verwenden Sie nur Original-Filter.

Öffnen Sie den Zyklondeckel in dem Sie die mit Schrauben gesicherten 3 Spannhaken öffnen. Deckel lösen und abheben. Der **Mikrofilter** (Filter-

ring) sitzt über der Feinfilterpatrone. Durch Umhüllen mit einer Entsorgungstüte (Lieferumfang mit neuem Originalfilter) kann der Mikrofilter einfach abgehoben werden. Verschließen der Tüte z.B. mit Kabelbinder und gemäß örtlichen Bestimmungen entsorgen. Ein neuer Mikrofilter (siehe Abbildung übernächste Seite) wird mit dem Dichtungsring auf der Feinfilterplatte zentrisch aufgebracht. Der richtige Sitz wird durch zentrisches Aufbringen des Zyklonkopfes bestimmt.

Der **Feinfilter** (Filterpatrone) sitzt unter dem Mikrofilterring. Ist dieser wie oben beschrieben entfernt, kann der Feinfilter herausgenommen werden. Plastiksack oder Entsorgungstüte (Lieferumfang mit neuem Originalfilter) über den Zyklonstülpfen und die Feinfilterpatrone in den Sack hineinziehen. (siehe Abbildung)

HINWEIS! Zum Austausch des Filters keine Werkzeuge/Hilfsmittel verwenden, da dadurch die Dichtfläche des Filters beschädigt werden kann.



Wartung DC Tromb 400 H

Säubern der Filterhalteplatte. Einbringen des neuen Filters und überprüfen auf gleichmäßiges Anliegen der Filterdichtung auf der Halteplatte. Nach dem Einbauen des Feinfilters muss der Mikrofilter aufgesetzt werden, bevor der Deckel aufgebracht und verspannt wird. Spannhaken mit Schrauben sichern.

- ACHTUNG! Benutzen sie den Hauptfilter nicht mehr, sobald er einmal aus dem Gerät entfernt worden ist.

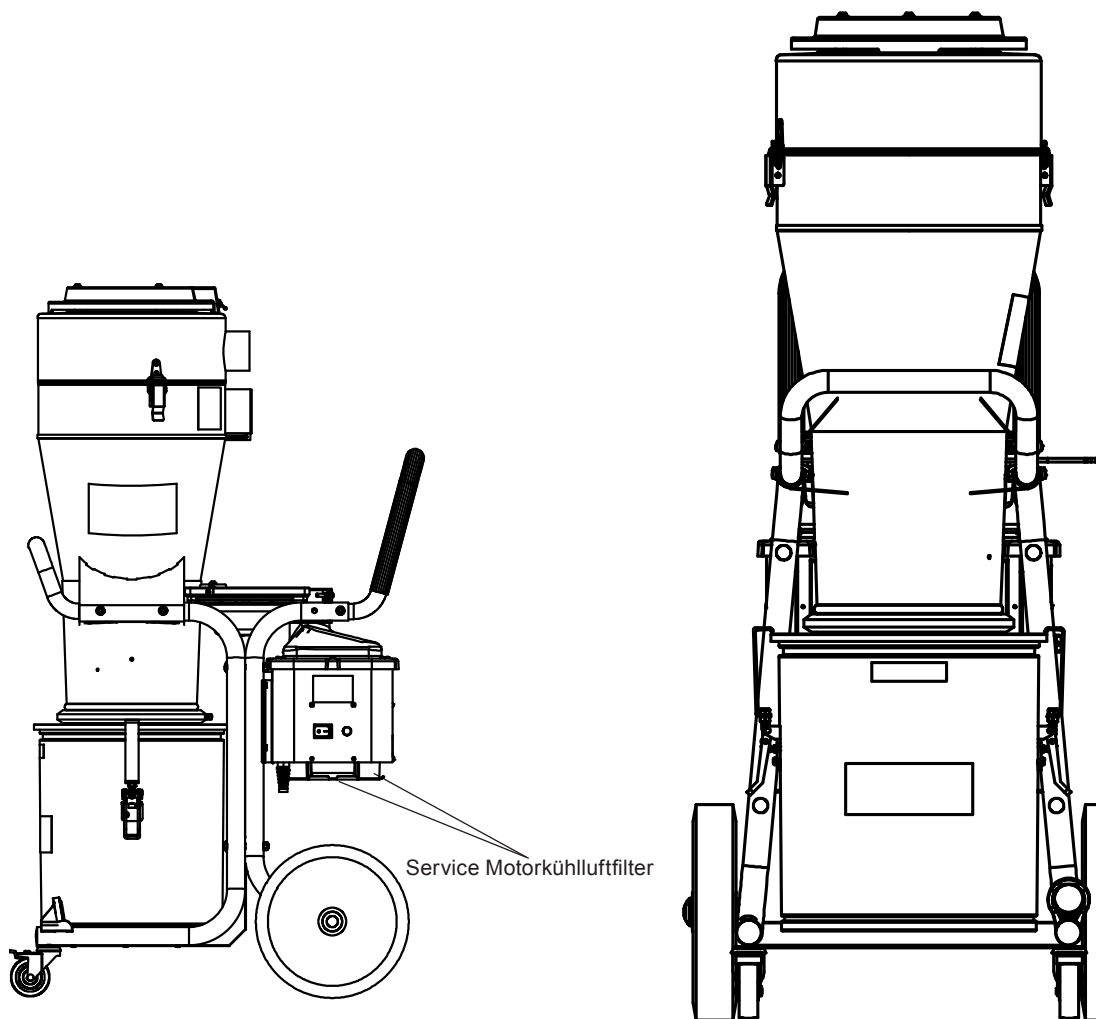
Der **Motorkühlluftfilter** sitzt rechts und links unter dem Motorenkasten (siehe Abbildung). Dieser sollte nach Bedarf getauscht werden (der Sauger schaltet sich sonst durch schnelle Überhitzung selbst ab).

Der Filterwechsel kann einfach durch Herausziehen direkt in eine Entsorgungstüte (z.B. die Verpackungstüte der neuen Filter) erfolgen.

Achtung

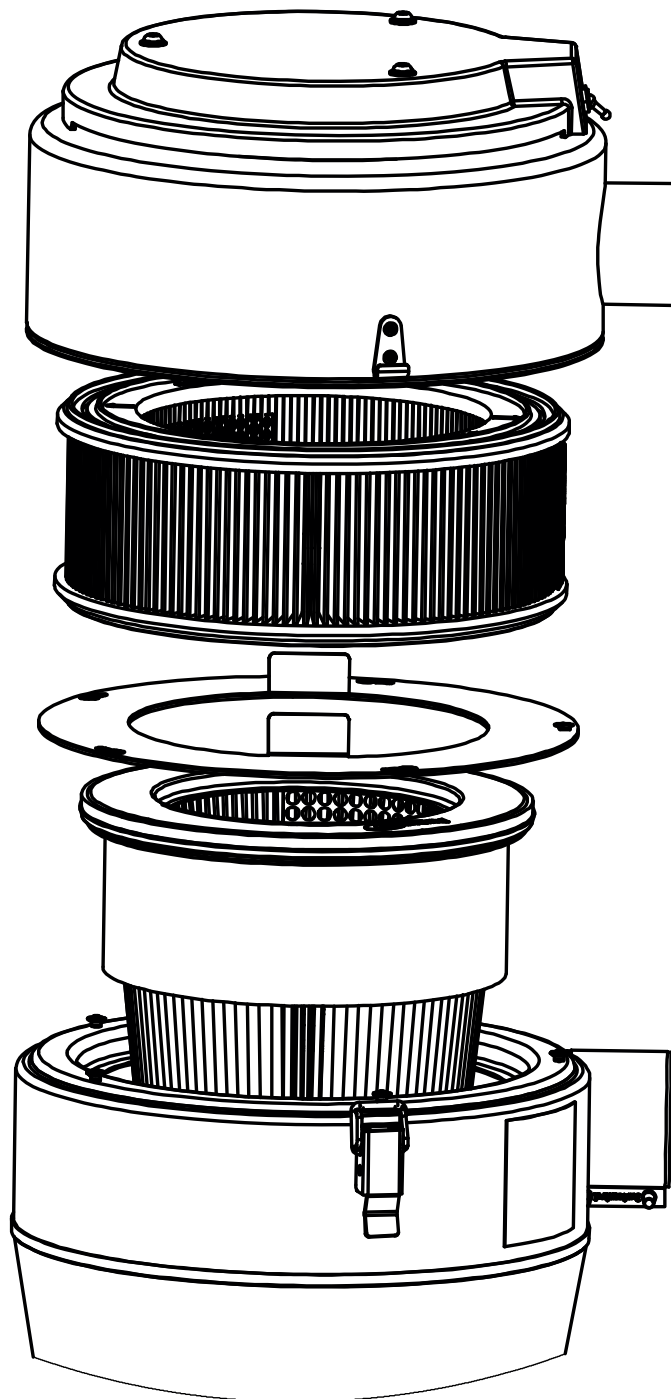
Der Hersteller oder eine ausgebildete Person muss mindestens jährlich eine Überprüfung z.B. der Filter auf Beschädigung, der Luftdichtheit der SBM und der Funktion der Kontrolleinrichtung durchführen.

Der *Unterdruckerzeuger* hat eine lange Lebensdauer und benötigt keine Wartung. Wird anderer Verschleiß festgestellt, müssen diese Teile getauscht werden. Nach ca 1000 Betriebsstunden sollten die Dichtungen kontrolliert werden. Wird Verschleiß festgestellt müssen diese Teile getauscht werden.



Wartung DC Tromb 400 H

Filterwechsel:



DEUTSCH

Mikrofilter zentrisch aufsetzen durch Drehen des Filters den gleichmäßigen Sitz der Dichtung überprüfen.

Mitgeliefertes sicherheitsrelevantes Zubehör

DC Tromb 400 H

Benennung	Art. Nr	Sonstiges Zubehör siehe Dustcontrol-Katalog.
Feinfilter	44017 H	
Mikrofilter	44016 H	
Rundbodensack	42285 H	
Motorkühlluftfilter	44034 H	
Optionales Zubehör:		
Verschlussstopfen Einlass	42250 H	
Abluft - Auslass Ø 76	44076	

Sie erhalten bei uns alle sicherheitsrelevanten Ersatz- und Verschleissteile.

Dustcontrol GmbH
Siedlerstr. 2
71126 Gäufelden

Tel.: 07032-97 56 0, info@dustcontrol.de,
www.dustcontrol.de

Gewährleistung

Die Garantiezeit beträgt 2 Jahre (bei Einschichtbetrieb) und bezieht sich auf Fabrikationsfehler. Die Garantie gilt nur unter der Voraussetzung, dass die Maschine vorschriftgemäß behandelt und gewartet wird.

Für betriebsbedingten Verschleiß wird keine Haftung übernommen. Die Geräte dürfen nur von DUSTCONTROL und seinen autorisierten Werkstätten repariert werden, ansonsten erlischt die Gewährleistung.

Fehlersuche

Problem	Fehler	Massnahme
Der Motor läuft nicht.	Kein Stromanschluss. Phase falsch	Strom anschliessen. Phase wenden
Der Motor bleibt sofort nach dem Start stehen.	Falsche Sicherung.	Sicherung tauschen.
Der Motor läuft, aber die Maschine saugt nicht.	Kein Saugschlauch angeschlossen. Schlauch verstopft.	Schlauch anschliessen. Schlauch reinigen.
DC Tromb 400 H	Am Zyklon ist kein Sammelbehälter angebracht	Behälter anbringen
	Der Behälter ist nicht richtig am Zyklon angebracht.	Befestigen Sie den Behälter richtig.
Der Motor läuft, aber die Maschine saugt schlecht.	Loch im Saugschlauch. Filter verstopft. Saugschlauch zu lang oder zu schmal. Schlauch teilweise verstopft.	Schlauch austauschen. Reinigen oder austauschen. Schlauch austauschen.
	Oberteil der Maschine schlecht montiert. Im Zyklon hat sich Staub abgesetzt.	Schlauch reinigen Ordentlich befestigen.
	Eines der Gebläse ist beschädigt oder hat sich gelockert.	Deckel abnehmen und den Zyklon reinigen.
Abnormale Geräuschentwicklung der Maschine.		Service bestellen.
Staubsauger stoppt.	Überhitzung.	Um systemrelevante Bauteile zu schützen, ist dieser Staubsauger mit einem Thermoschalter ausgestattet. Falls es zu einer Abschaltung kommen sollte, ist die Dauer zum automatischen Neustart des Gerätes ca. 5 min. Um einen freien Luftstrom durch den Staubsauger sicher zu stellen, schalten Sie die Maschine mit dem Stromschalter am Gerät erst Mal ab. Danach überprüfen Sie Saugkappe, Schlauch, Einlass am Zyklon, Materialaustrag und Filter auf Verstopfung. Entfernen Sie ev. Verstopfung. Starten Sie den Staubsauger.

Turvallisuusmääräykset

Lue nämä ohjeet ennen koneen käyttöä ja noudata niitä.

DC Tromb H Asbesti-imuri:

HUOMIO! Älä käytä konetta, ennen kuin olet lukenut käyttöohjeet. Lue nämä ohjeet ennen koneen käyttöä ja noudata niitä. Pölynerottimen käyttöön ja erotettaviin pölytyyppeihin liittyvät tiedot, ohjeet ja koulutus on hankittava ennen koneen käyttöä.

Huomio! Sähkökoneita käytettäessä seuraavia turvallisuuteen liittyviä yleisohjeita tulee aina noudattaa tulipalon, sähköiskun ja henkilövamman riskin ehkäisemiseksi.

1. Tärkeää!

Koneeseen ei saa imeä kuumia tai hehkuvia hiukkasia. Koneella ei saa käsitellä räjähtäviä, epävakaista tai itsestään syttyviä hiukkasia tai pölyjä.

— **VAROITUS!** Konetta saavat käyttää vain henkilöt, joilla on asianmukainen koneen käyttökoulutus.

— **VAROITUS!** Tämä kone on tarkoitettu vain kuivakäyttöön.

— **HUOMIO!** Tämä kone on tarkoitettu vain sisäkäyttöön.

— **HUOMIO!** Tätä konetta on säilytettävä sisätiloissa.

DC Tromb H Asbesti-imuri:

— **HUOMIO!** Konetta ei saa kytkeä toiseen, pölyä muodostavaan koneeseen.

2. Työskentely-ympäristö

Kone ei saa joutua sateeseen. Konetta ei saa käyttää kosteassa tai märässä käyttöympäristössä eikä syttyvien nesteiden tai kaasujen lähellä.

3. Ylikuormitus

Älä anna koneen käydä täydellä teholla (painemittarin osoitin mittarin punaisella alueella). Se voi johtaa koneen ylikuumentumiseen. Älä käytä konetta muuhun kuin siihen käyttötarkoitukseen, johon se on suunniteltu. Noudata aina käsiteltävää materiaalia koskevia määräyksiä.

Tässä koneessa on lämpörele, joka suojaa tärkeitä komponentteja ylikuumentumiselta. Jos koneen virta katkeaa, se käynnistyy automaattisesti uudelleen noin 5 minuutin kuluttua. Katkaise koneesta virta ja irrota virtajohto pistorasiasta. Näin varmistetaan, että ilma pääsee virtaamaan vapaasti koneen läpi. Tarkista sitten imusuoja, letku, syklonin imuaukko, purkulaitteisto (Intellibag, Longopac tai säiliö) ja suodatin tukoksien varalta. Poista mahdolliset tukokset. Käynnistä pölynerotin.

4. Henkilövahingot

Älä koskaan anna imun kohdistua suoraan kehonosiin. Voimakas imu voi vaurioittaa ihon verisuonia. Älä yritä korjata koneen sähkökomponentteja itse. Virhe voi aiheuttaa kuolemantapauksen!

5. Suojaa virtajohto

Älä koskaan vedä konetta virtajohdosta. Varmista, ettei johto pääse kuumenemaan tai osumaan teräviin reunoihin. Tarkista potentiaalintauskaapeleiden ja virtajohdon kunto ennen koneen käyttöä. Konetta ei saa käyttää, mikäli mikä tahansa kaapeli tai pistoke on vaurioitunut. Koneen kytkemisessä sähköverkkoon ei saa käyttää jatkojohtoja, kaapelliittimiä tai sovittimia.

6. Tärkeitä tietoja

Katkaise virransyöttö pääkytkimestä ja irrota koneen sähköpistoke pistorasiasta ennen koneen puhdistus- tai huoltotoimenpiteitä. Huomio! Tämä kone on tarkoitettu vain kuivakäyttöön. Sitä ei saa käyttää ulkotiloissa (EN 292). Tämä kone on tarkoitettu ainoastaan pölyjäänteiden poistamiseen. Sitä ei saa käyttää pölynkeräimenä. Älä imuroi nesteitä tai palavia materiaaleja. Käyttölämpötila-alue: -10–60 °C

7. Koneen kunnossapito

Pidä kone puhtaana ja poista pölyjäänteet. Tarkista, ettei letkussa ole vaurioita ja että kaikki tiivisteet ovat ehjiä. Noudata kaikkia kunnossapito-ohjeita. Pidä kahvat kuivina, öljyttöminä ja rasvattomina.

8. Koneen kunnon tarkistaminen

Tarkista aina huolellisesti ennen käyttöä, ettei koneessa ole näkyviä vaurioita. Kaikki vaurioituneet osat on toimitettava korjattavaksi Dustcontrolin valtuuttamaan huoltokeskukseen.

Turvallisuusmääräykset

Jos virtajohto on vaurioitunut, valmistajan, sen huoltoedustajan tai muun vastaavan ammattitaitoisen henkilön tulee vaihtaa se vaarojen välttämiseksi. Verkkojohto voidaan vaihtaa vain määritetyn tyyppiseen uuteen johtoon.

9. Kuljetus

Säiliö on tyhjennettävä ennen koneen kuljettamista. Etupyörässä on jarru, jonka on oltava lukittuna aina, kun kone on paikallaan.

10. Varoitukset

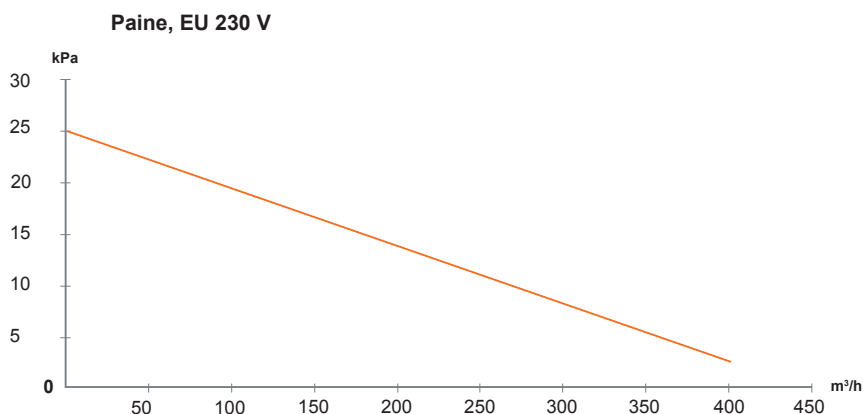
Käytä vain Dustcontrolin tuoteluettelossa mainittuja lisävarusteita ja varaosia. Viallisia tai

väärennettyjä osia (erityisesti suodattimia tai letkuja) käytettäessä koneesta voi vuotaa pölyä, mikä voi olla vaarallista terveydelle.

Lapset eivät saa käyttää konetta. Henkilöt, joiden fyysisien tai henkisten kykyjen tai aistien toiminnan voidaan katsoa olevan heikot, eivät saa käyttää laitetta, mikäli heidän turvallisuudestaan vastuussa oleva henkilö ei ole ohjeistanut laitteen käyttöä ja valvo sitä.

Kone on tarkoitettu vain kaupalliseen käyttöön esimerkiksi hotelleissa, kouluissa, sairaaloissa, tehtaissa, kaupoissa, toimistoissa ja vuokrausliikkeissä.

Tekniset tiedot



Tekniset tiedot

	DC Tromb 400 H
K x L x P mm	1360 x 600 x 700 mm
Paino	51 kg
Imuaukko	Ø 76 mm
Säiliö	40 l
Letku, suositeltu enimmäispituus	5–20 m
Virtaus, enintään	400 m ³ /h
Virtaus, tuuletin	420 m ³ /h
Ilmavirta (5 m, Ø 50 mm letkulla)	300 m ³ /h
Vähimmäisilmavirta	150 m ³ /h
Alipaine, enintään	25 kPa
Sähköenergian kulutus	3 000 W, 230 V / 50 Hz, IP54
Hienosuodatin, polyesteri	2,5 m ²
Erotusaste	
(SFS-EN 60335-2-69, luokka M)	99,9 %
Mikrosuodattimen pinta-ala	2,2 m ²
Erotusaste, mikrosuodatin	
(SFS-EN 60335-2-69, luokka H)	99,995 %
(SFS-EN 1822-1) HEPA H13	99,95 %
Äänenpainetaso*/	70 dB(A)

*/ Äänenpainetaso +/- 2 dB(A) 1,6 metrin korkeudessa ja 1 metrin etäisyydellä DIN EN ISO 3744 -standardin mukaisesti ilman enimmäisvirtauksella.

Tämä kone on tarkoitettu kuivien, terveydelle vaarallisten, syttymättömien luokan H pölyjen imurointiin. Tämä sisältää räjäytys-, saneeraus- ja huoltotyöt Saksan vaarallisten aineiden teknisten säännösten TRGS 519 mukaisesti.

Kun konetta käytetään sen käyttötarkoituksen mukaisella tavalla, se soveltuu kuivan, terveydelle vaarallisen ja syttymättömän pölyn erottamiseen altistuksen raja-arvosta (ELV) riippumatta. Tämä koskee pölytyyppejä, joille on määritetty ELV-arvo, sekä karsinogeenisista aineista peräisin olevia pölyjä Saksan vaarallisia aineita koskevan lainsäädännön (GefStoffV) mukaisesti.

Kuvaus, DC Tromb 400 H

DC Tromb 400 H on sähkötoiminen pölynerotin, joka soveltuu laajamittaisiin puhdistustöihin.

Erottimen toiminta perustuu alipaineenmuodostukseen. Karkeat hiukkaset erotellaan syklonissa ja hienopöly suodatinyksikössä.

Erotettu materiaali kerätään suoraan sykloniin yhdistettyyn säiliöön. Suodatin puhdistetaan käänteispulssin avulla.

Imuroitu ja suodatettu materiaali kerätään säiliöön, jonka sisäpuolella on muovisäkki (osanumero 42285H). Säiliö voidaan irrottaa koneesta vapauttamalla kiinnityssalvat. Se helpottaa materiaalin hävittämistä.

Suodatin puhdistetaan käänteispulssilla, minkä ansiosta imuteho pysyy muuttumattomana.



HUOMIO! Tämä kone sisältää vaarallista pölyä. Koneen tyhjennyksen sekä kaikki muut kunnossapitotoimenpiteet, mukaan lukien pölynkeräyssäiliöiden tyhjennyksen, saa suorittaa vain asianmukaisesti koulutettu ja asianmukaisin henkilönsuojaimin varustettu henkilöstö. Konetta ei saa käyttää, mikäli kaikki suodatusjärjestelmän osat eivät ole asennettuna paikoilleen.

Kuvaus, DC Tromb 400 H

Yleiset vaatimukset

Jos asbestikuitujen leviäminen ilmaan on mahdollista, ne on kerättävä talteen joko leviämiskohdassa tai suoraan kuitujen lähteestä.

Sen jälkeen kuidut on hävitettävä vallitsevaa teknologista kehitystasoa edustavalla laitteella siten, ettei niistä aiheudu vaaraa ihmisille tai ympäristölle.

Jos kuitujen täydellinen kerääminen talteen ei ole mahdollista, paikalle on järjestettävä vallitsevaa teknologista kehitystasoa edustava ilmanvaihto.

Työn päätyttyä kaikki työvälaineet, mukaan lukien imulekut, työskentelyssä käytetyt materiaalit sekä työskentelyalue on puhdistettava huolellisesti.

Kaikki asbestikuiduille altistuneet esineet tai alueet, joita ei voida puhdistaa riittävän hyvin, on kastettava ja hävitettävä asianmukaisesti.

Puhdistuksen jälkeen työskentelyalueelle on järjestettävä riittävän tehokas ilmanvaihto.

Teollisia pölynerottimia koskevat erityisvaatimukset: Pölynerottimen imemä ilma on kuljetettava tai puhdistettava siten, että asbestikuidut eivät pääse muiden työskentelyalueella oleskelevien henkilöiden hengitysilmaan.

Kerätty pöly on kuljetettava pölytiivissä säiliöissä. Näiden säiliöiden täyttäminen uudelleen on kielletty.

Ympäröivään ilmaan purkautuvan poistoilman asbestikuitupitoisuus saa olla enintään 1 000 F/m³.

Tämä kone on tyyppitestattu, teollisuuskäyttöön tarkoitettu pölynerotin, ja se täyttää sille asetetut hyväksyntäkriteerit.

Varmista, että työskentelyalueelle on aina saatavana riittävästi ulkoilmaa (raitisilmaa).

Työtehtävissä, joissa käsitellään asbestia sisältäviä materiaaleja, puhdistetun poistoilman uudelleenkierrätys työskentelyalueelle on yleensä kielletty.

Seuraavissa tehtävissä, joissa käytetään tätä teollisuuskäyttöön tarkoitettua pölynerotinta, puhdistetun poistoilman uudelleenkierrätys on sallittu:

1. Työt, jossa altistus on alhainen Saksan vaarallisten aineiden teknisten säännösten TRGS 519 kohdan 2.8 (suljetut tilat) tai kohdan 2.10 (laajuudeltaan vähäiset työt) mukaisesti.
2. Puhdistustyöt.

Tämä teollisuuskäyttöön tarkoitettu pölynerotin on huollettava vaatimuksien mukaisesti sekä vähintään kerran vuodessa. Korjaus- ja tarkastustyöt saa suorittaa vain henkilö, jolla on riittävä pätevyys (ks. pätevyysvaatimukset TRGS 519 -säännösten kohdan 5.3 luvusta 2) tai huoltoyritys. Tarkastuksen tulokset on pystyttävä toimittamaan pyydettyäessä.

Teollisuuskäyttöön tarkoitettuja pölynerottimia, joita on käytetty kontaminoituneella alueella, voidaan käyttää muulla kuin kontaminoituneella alueella tai puhtaassa tilassa vain, jos koneen kaikki osat on puhdistettu (moottorikotelo mukaan lukien).

Jos moottorissa on jäähdytysjärjestelmän ohitus, myös jäähdytyskanavat on puhdistettava.

Käyttö

DC Tromb 400 H:

Jos konetta käytetään säännöllisesti tai suodattimen punainen merkkivalo palaa, suodattimet on puhdistettava seuraavasti:

1. Käynnistä kone.
2. Sulje koneen imuaukon sulkuventtiili.
3. Aseta puhdistuskytkin ON-asentoon ja 2–3 minuutin kuluttua takaisin OFF-asentoon. (Kone puhdistaa suodattimen sykäyksittäin.)
4. Avaa koneen imuaukon sulkuventtiili uudelleen.
5. Jos suodattimen merkkivalo edelleen palaa, toista puhdistustoimenpiteet.

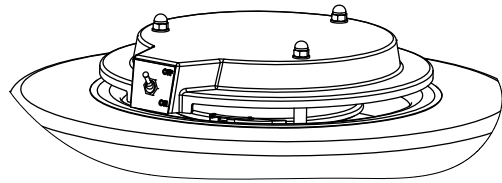
Jos suodattimen puhdistus ei onnistu useankaan yrityskerran jälkeen, hienosuodatin on vaihdettava. Jos konetta käytetään päivittäin, suodatin on puhdistettava kerran tai kahdesti päivässä. Suodattimen puhdistus suoritetaan työtaukojen aikana.

Painemittarin osoitin voi olla punaisella alueella eräiden toimenpiteiden aikana (jolloin ilmanvirtaus on rajoittunut), vaikka suodatin on puhdas. Mittarin osoitin ei saa olla koko ajan punaisella alueella, sillä se voi aiheuttaa koneen ylikuumentumisen.

Syklonin alla oleva säiliö tulee tyhjentää, kun sen tilavuudesta noin kaksi kolmasosaa on täytynyt. Suurin sallittu sisällön paino on 20 kg. Pölyn hävittämisen jälkeen huoltotöihin käytetty alue on puhdistettava.

DC Tromb 400 H voidaan varustaa liitäntäyhteellä, johon voidaan kiinnittää poistoletku suoraan ilmaan puhaltamista varten (halkaisija 76 mm, osanumero 44076) lisävarusteita. Tällöin moottoripaketin takana oleva poistoilman äänenvaimennin irrotetaan, poistoilmakoteloon kiinnitetään ilmanpoistoaukko (lisävaruste) ja letku (Ø76) kiinnitetään letkukiristimellä.

Jos suodattimen merkkivalo palaa, sulje sulkuventtiili ja aseta kytkin ON-asentoon 4–7 pulssin ajaksi.



Huollot, DC Tromb 400 H

Seuraavat varotoimet on huomioitava ennen huolto- ja kunnossapitotoimenpiteiden aloittamista:

1. Pölyn leviämisen ehkäisemiseksi kone on imuroitava ja pyyhittävä puhtaaksi ja imuaukot on suljettava esimerkiksi erillisillä tulvilla ennen koneen siirtämistä pois likaiselta alueelta. Ennen tätä suodatin on puhdistettava ja pölynkeräyssäiliö tyhjennettävä (katso jäljempänä olevat ohjeet).
2. Kaikkia vaaralliselta alueelta pois siirrettäviä koneita on käsiteltävä kuin ne olisivat likaantuneita. Pölyn leviäminen on estettävä tarvittavin toimenpitein.
3. Kunnossapito- ja korjaustoimenpiteitä suoritettaessa kaikki likaantuneet osat, joita ei ole voitu puhdistaa asianmukaisesti, on

hävittävä. Hävittäminen on suoritettava pölytiivisissä pusseissa jätteenkäsittelyä koskevien määräyksen mukaisesti.

4. Puhdista kone ennen sen purkamista.
5. Suorita toimenpiteet tilassa, jossa on suodattimella varustettu koneellinen ilmanvaihto (mikäli mahdollista).
6. Puhdista toimenpiteisiin käytetty tila sekä ennen töiden aloittamista että niiden jälkeen.
7. Käytä asianmukaisia henkilönsuojaimia.
8. Syklonin suodatinelementit on vaihdettava tarvittaessa tai vähintään kerran vuodessa. Käytä vain alkuperäissuodattimia (tuotenumerot 44016 H ja 44017 H).

Huollot, DC Tromb 400 H

9. Kone on irrotettava virtalähteestä puhdistus- ja kunnossapitotoimenpiteiden ajaksi. Huoltotoimenpiteitä ei saa koskaan suorittaa pölyjen vaikutusalueella.
10. Koska nämä koneet on tarkoitettu terveydelle vaarallisen pölyn poistamiseen, valmistajan tai asianmukaisesti koulutetun henkilöstön on tarkastettava kunkin koneen toiminta vähintään kerran vuodessa (tämä käsittää muun muassa suodattimien kunnon, pölynerotuskoneen ilmatii- viyden ja ohjausyksikön toiminnan tarkastuksen sekä sähköjärjestelmän osien, tiivisteiden ja po- tentiaalintasauskaapeleiden kunnon tarkastuk- sen). Käytä vain alkuperäisiä varaosia!

Keräyssäkin vaihtaminen

Voit tyhjentää pölynkeräyssäiliön vapauttamalla kiinnityskoukut yksi kerrallaan siten, jottei säili- össä oleva pöly leviä tarpeettomasti. Kun säiliö on laskettu alas, kytke pölynerotin uudelleen päälle, jotta ilmaan levinneet hiukkaset imetään syklonin suodattimeen. Sen jälkeen säiliö voidaan irrot- taa kokonaan koneesta. Irrota muovisäkki säiliön reunoista ja sulje se heti tiiviisti. Irrota täysi muo- visäkki varovasti säiliöstä varoen vaurioittamasta sitä. Aseta uusi muovisäkki paikalleen ja aseta sen suuaukko huolellisesti säiliön reunan yli. Varmista, ettei säkin reunassa ole taitoksia, ja että säkki on ehjä. Aseta sitten säiliö takaisin erotinyksikön alle, kiinnitä kiinnikkeet, kytke koneen virta pois päältä, kiinnitä säiliö uudelleen koneeseen ja tarkista mah- dolliset vuodot.

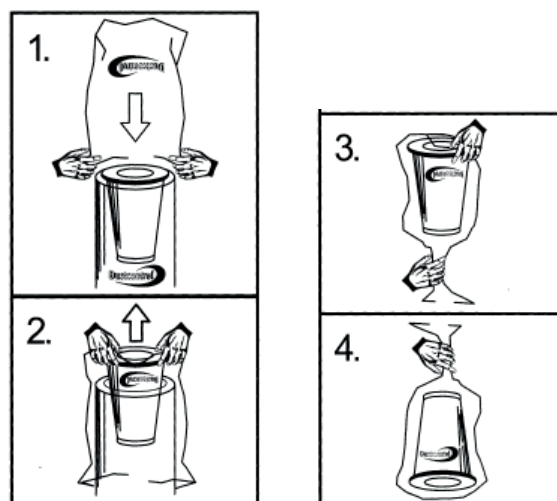
Suodattimen vaihtaminen (hienosuodatin + mikro-suodatin + moottorin jäähdytys-suodatin)

Hienosuodatin tulee vaihtaa vähintään kerran vuodessa. Mikro-suodattimet on vaihdettava 300 käyttötunnin välein. Käytä aina hengityssuojainta suodatinta vaihtaessasi. Käytä aina vain alkuperä- issuodattimia.

Avaa syklonin yläosa avaamalla kolme ruuveilla kiinnitettyä kiinnikettä. Vapauta yläosa ja nosta se pois. **Mikro-suodatin** (suodatinrenkas) on hienosuodatinelementin päällä. Kääri roskapussi (toimitetaan uuden alkuperäissuodattimen mukana) mikro-suodattimen ympärille ja irrota suodatin. Sulje pussi nippusiteillä ja hävitä se paikallisien jätteenkäsittelyä koskevien määräyksien mukaisesti. Aseta uusi mikro-suodatin (katso jäljempänä oleva kuva) paikalleen kiinnittämällä se tiivisterenkaalla, joka on hienosuodattimen pidikelevyn keskellä. Oikea paikka määritetään syklonipään keskikiinnityksen perusteella.

Hienosuodatin (suodatinelementti) on mikro-suodatinrenkaan alla. Kun se on poistettu edellä kuvatulla tavalla, hienosuodatin voidaan irrottaa. Vedä muovisäkki tai roskapussi (toimitetaan uuden alkuperäissuodattimen mukana) syklonin reunojen päälle ja siirrä hienosuodatinelementti pussiin (katso kuva).

HUOMAUTUS! Älä käytä työkaluja suodattimen vaihtamiseen. Suodattimen tiivistepinta voi vaurioitua.



Huollot, DC Tromb 400 H

Suodatinkannen puhdistaminen: Uutta suodatinta asennettaessa on tarkistettava, että suodattimen tiiviste asettuu tasaisesti suodatinkannen päälle. Hienosuodattimen asentamisen jälkeen mikro-suodatin on asetettava paikalleen, ennen kuin yläosa kiinnitetään. Kierrä kiinnikkeen ruuvit kiinni.

- HUOMIO! Älä käytä pääsuodatinta uudelleen sen jälkeen, kun se on irrotettu koneesta.

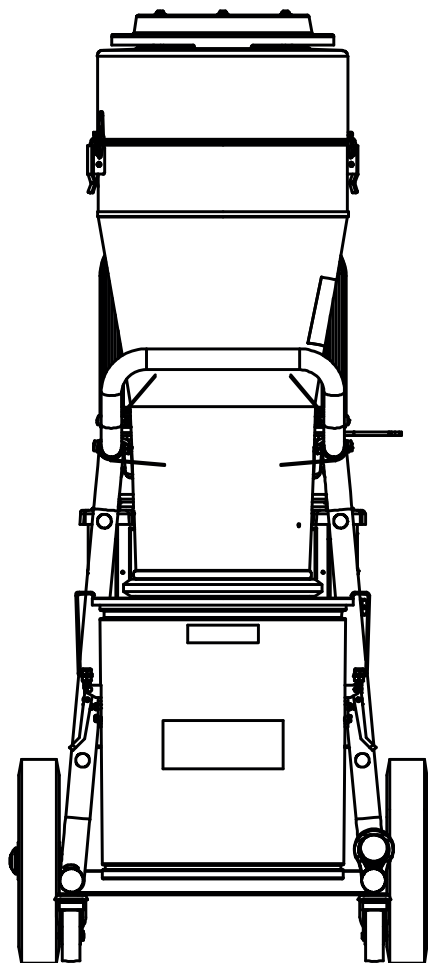
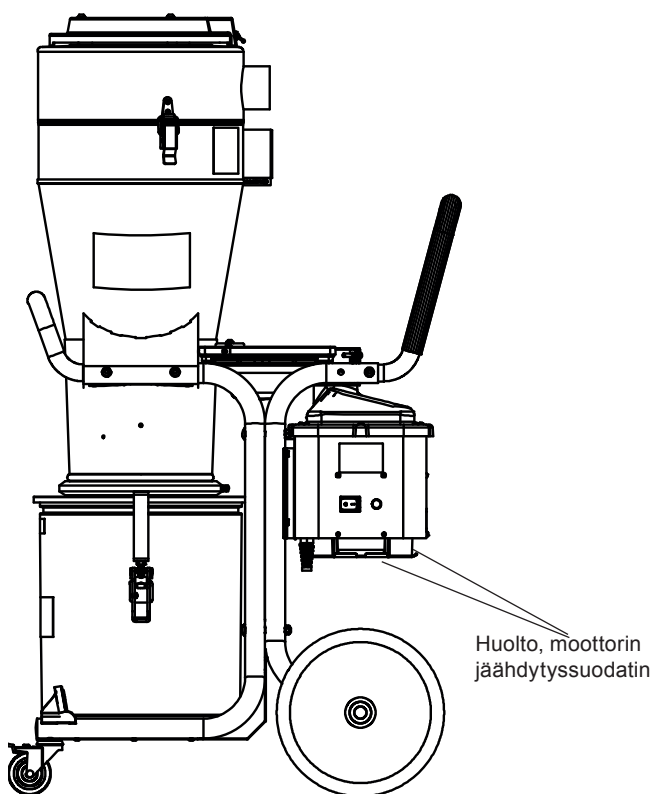
Moottorin jäähdytys-suodatin on moottorikotelon alla oikealla ja vasemmalla puolella (katso kuva). Se tulee vaihtaa määräajoin (muussa tapauksessa erotin kytkeytyy pois päältä automaattisesti nopean ylikuumentumisen seurauksena). Suodatin

voidaan vaihtaa helposti vetämällä se suoraan ulos muovipussiin (esimerkiksi uuden suodattimen pakkauspussiin).

Huomio

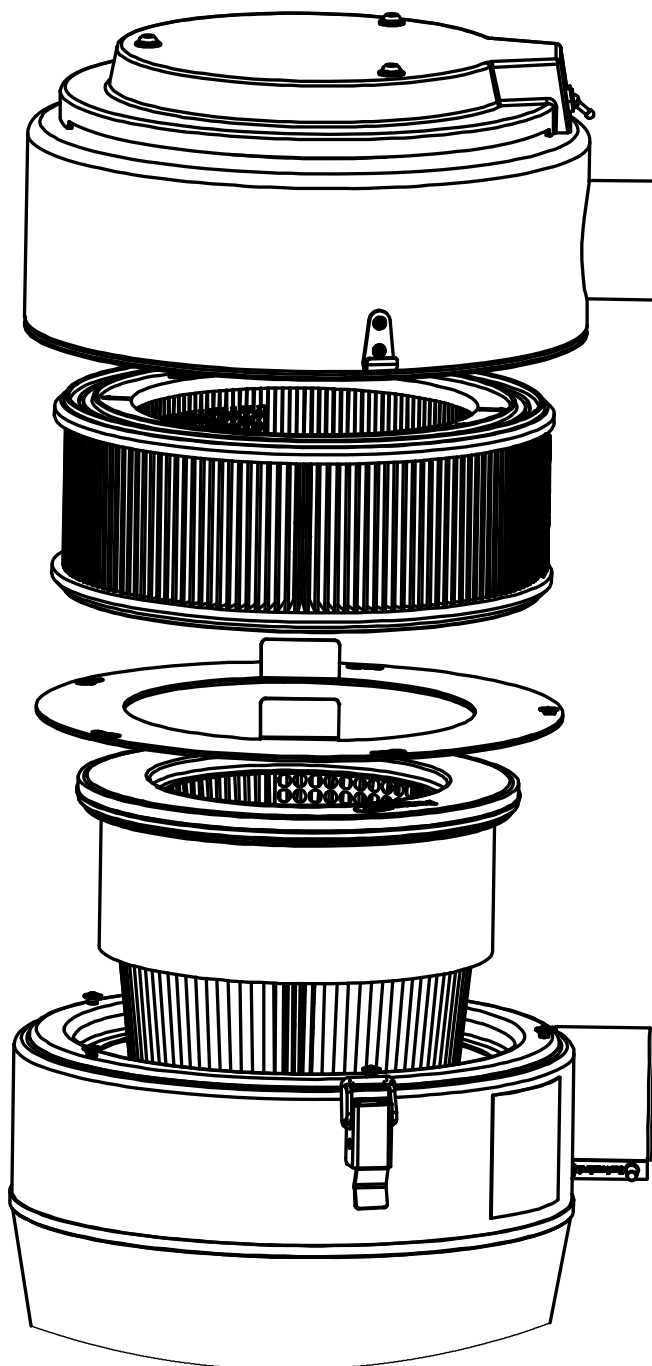
Valmistajan tai asianmukaisesti koulutetun henkilöstön on suoritettava tarkastus (kattaen esimerkiksi suodattimien kunnan, pölynerotuskoneen ilmatiivyyden sekä ohjausyksikön toiminnan) vähintään kerran vuodessa.

Alipainepumpun käyttöikä on pitkä. Sitä ei tarvitse huoltaa. Mahdolliset muut kuluneet osat on myös vaihdettava. Tiivisteet on tarkastettava 1 000 käyttötunnin välein. Nämä osat on vaihdettava, mikäli ne ovat kuluneet.



Huollot, DC Tromb 400 H

Suodattimien vaihtaminen:



Aseta mikrosuodatin paikalleen levyn keskelle. Tarkista pyörittämällä suodatinta, että tiiviste asettuu tasaisesti osia vasten.

Turvallisuuden kannalta tärkeät lisävarusteet

DC Tromb 400 H

Kuvaus

Osanumero

Katso muut saatavana olevat lisävarusteet Dustcontrolin tuotekuvastosta.

Hienosuodatin	44017 H
Mikrosuodatin	44016 H
Pyöreäpohjainen säkki	42285 H
Moottorin jäähdytys-suodatin	44034 H

Voidaan Vilata:

Imuaukon tulppa	42250 H
Ulostulo Ø 76	44076

Kauttamme on saatavana kaikki koneen turvallisuuteen liittyvät varaosat ja kulutusosat.
Dustcontrol FIN OY
Valuraudankuja 6
FI-00700 Helsinki

Puhelin: +358 9-682 4330, dc@dustcontrol.fi
www.dustcontrol.fi

Takuu

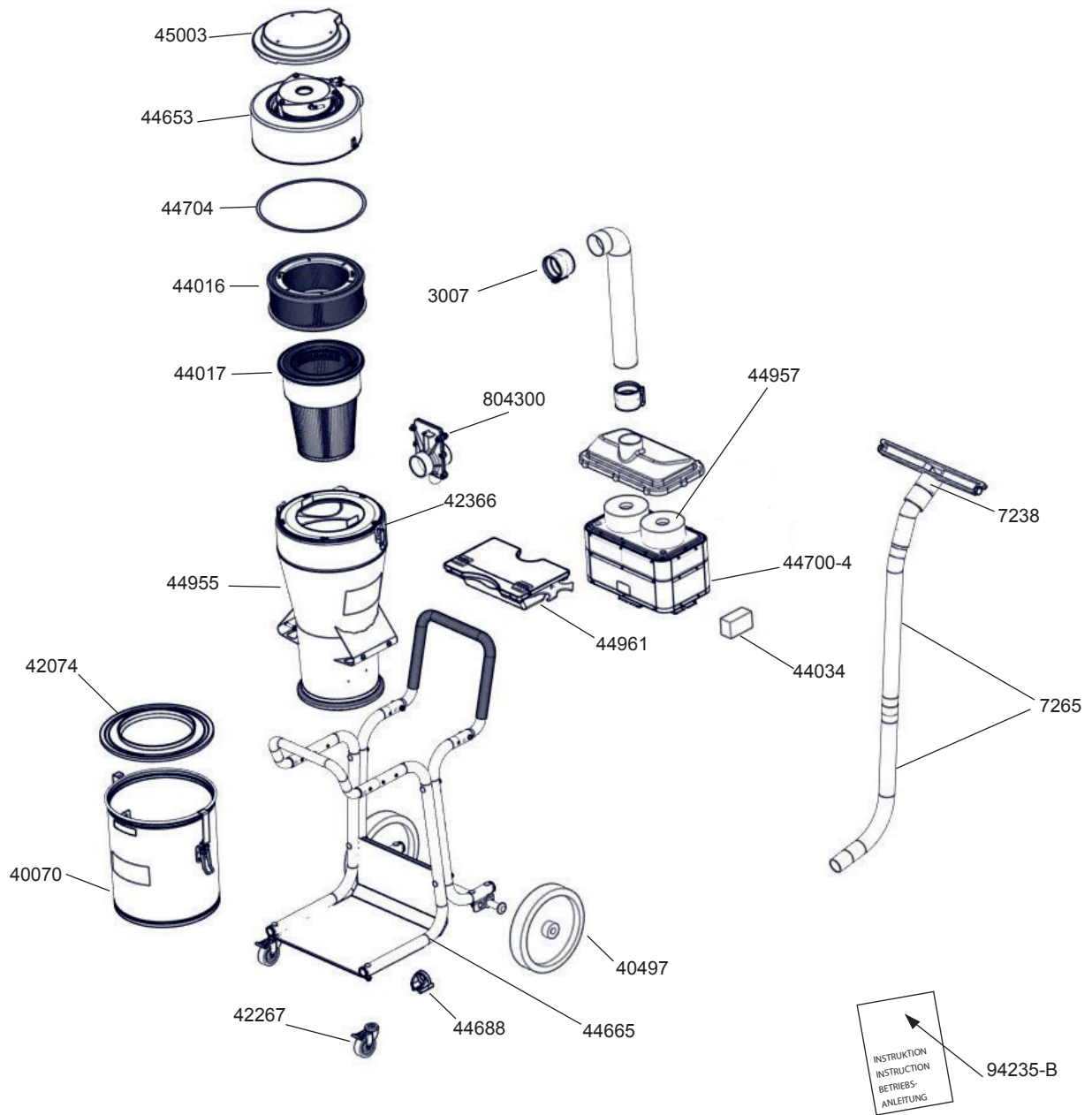
Tämän koneen takuu-aika on kaksi vuotta (yhden työvuoron käytössä). Takuu kattaa valmistusviat. Takuu on voimassa sillä ehdolla, että konetta käytetään ja huolletaan annettujen ohjeiden mukaisesti.

Tämä takuu ei kata normaalia kulumista. Korjaustöitä saa suorittaa vain DUSTCONTROL tai sen valtuuttama liike. Muussa tapauksessa tuotteen takuu raukeaa.

Vianmääritys

Ongelma	Vika	Ratkaisu
Moottori ei käynnisty.	Konetta ei ole kytketty virtalähteeseen. Vaihejärjestys on väärä.	Kytke kone virransyöttöön. Vaihda vaihejärjestys.
Moottori pysähtyy heti käynnistämisen jälkeen.	Käytössä on väärä sulake.	Asenna oikea sulake.
Moottori käy, mutta imua ei ole.	Letkua ei ole kytketty. Letkussa on tukos.	Kytke letku. Poista mahdolliset tukokset.
DC Tromb 400 H	Sykloniin ei ole asetettu keräyssäiliötä.	Aseta säiliö paikalleen.
	Säiliötä ei ole kiinnitetty sykloniin oikein.	Aseta säiliö paikalleen oikein.
Moottori on käynnissä, mutta imuteho on heikko.	Letkussa on reikä. Suodatin on tukossa. Letku liian pitkä tai liian pieni. Letkussa on osittainen tukos.	Vaihda letku. Puhdista tai vaihda suodatin. Vaihda letku. Poista tukos letkusta.
	Koneen yläosaa ei ole kiinnitetty oikein. Pölyä on kerääntynyt sykloniin.	Kiinnitä osa oikein. Irrota yläosa ja puhdista sykloni.
	Jokin puhaltimista on vaurioitunut tai löystynyt.	
Kone pitää epänormaalia ääntä.		Tilaa huolto.
Pölynerotin pysähtyy.	Kone on ylikuumentunut.	Järjestelmän toiminnan kannalta tärkeimpien komponenttien suojaamiseksi tässä pölynerottimessa on lämpörele. Jos koneen virta katkeaa, se käynnistyy automaattisesti uudelleen noin 5 minuutin kuluttua. Katkaise koneesta virta ja irrota virtajohto pistorasiasta. Näin varmistetaan, että ilma pääsee virtaamaan vapaasti koneen läpi. Tarkista sitten imusuoja, letku, syklonin imuaukko, purkulaitteisto ja suodattimet tukoksien varalta. Poista mahdolliset tukokset. Käynnistä pölynerotin.

Ersatzteile Spare Parts Varaosat



English

Part No	Description
3007	Joint 76 EPDM
40070	Container 40 l
40497	Wheel, D=300
42074	Bottom cover
42267	Castor wheel D=75
42366	Excenter lock
44016	HEPA filter
44017	Fine filter, polyester
44034	Motor filter Tromb Asbestos

Part No	Description
44653	Cover complete
44665	Chassis, standard
44688	Suction pipe holder
44700-4	Motor package, complete EU
44704	Gasket EPDM
44955	Cyclone basic
44957	Motor 1485 W
44961	Accessory box, complete

Part No	Description
45003	Plastic cover
7238	Floor nozzle 500 a-50
7265	Suction pipe 50stel (2 parts)
804300	Sliding throttle
94235-B	Original operating instructions for DC Tromb 400/H Asbestos

Ersatzteile Spare Parts Varaosat

Deutsch

Art Nr	Bezeichnung	Art Nr	Bezeichnung	Art Nr	Bezeichnung
3007	Verbinder 76	44034	Motorfilter Tromb asbest	45003	Kunststoffdeckel
40070	Behälter, metall, 40 l	44653	Deckel tromb Asbest	7238	Bodensaugdüse 500 A=50
40497	Räder, D=300	44665	Fahrgestell, Standard	7265	Saugrohr 50, Stahl
42074	Bodendeckel	44688	Saugrohrhalter	804300	Schriebeventil, 76 man
42267	Lenkrolle, D 75 verschliessbar	44700-4	Motorpaket, komplett EU	94235-B	Origianlbetriebsanlei tung DC Tromb 400/H Asbest
42366	Haken für Behälter	44704	Dichtung EPDM		
44016	Mikrofilter HEPA	44955	Zyklon, Basic		
44017	Feinfilter Polyester	44957	Motor 1485W		
		44961	Zubehörbox komplett		

Suomi

Osanumero	Kuvaus	Osanumero	Kuvaus	Osanumero	Kuvaus
3007	Jatke 76	44653	Kansi, maalattu Tromb asbest	45003	Muovikansi
40070	Säiliö, metallinen, 40 l			7238	Lattiasuulake 500 A-50
40497	Pyörät, D=300	44665	Alusta, vakio	7265	Imuputki 50 teräs
42074	Alasuoja	44688	Imuputken pidin	804300	Suljin, 76 man
42267	Ohjauspyörä D 75	44700-4	Moottoripaketti Tromb 230V EU	94235-B	Alkuperäiset käyttöohjeet – DC Tromb 400/H Asbesti-imuri
42366	Kiinnike säiliölle	44704	Tiiviste EPDM		
44016	Mikrosuodatin	44955	Sykloni		
44017	Hienosuodatin, polyesteri	44957	Moottori 1485W		
44034	Moottorisuodatin Tromb asbesti	44961	Lisälaatikko valmis		

English

EC Declaration of Conformity

We hereby declare that the DC Tromb 400 H Asbestos is in conformity with the following directives and standards: 2006/42/EC, 2014/35/EC, 2014/30/EC.

The serial number and year of manufacture are stamped on the rating plate of the machine.

Dustcontrol AB



Anna-Lena Berg/Peter Söderling
CEO/Technical Manager

Deutsch

EG-Konformitätserklärung

Wir deklarieren daß DC Tromb 400 H Asbest mit den folgenden aufgeführten Standards oder standardisierten Dokumenten, übereinstimmt; 2006/42/EG, 2014/35/EG, 2014/30/EG.

Seriennummer und Herstellungsjahr werden auf einer Plakette an der Maschine eingepreßt

Dustcontrol AB



Anna-Lena Berg/Peter Söderling
CEO/Technical Manager

Suomi

EY-vaatimustenmukaisuusvakuutus

Vakuutamme, että DC Tromb 400 H Asbesti-imuri täyttää seuraavien direktiivien ja standardien vaatimukset: 2006/42/EY, 2014/35/EU, 2014/30/EU.

Sarjanumero ja valmistusvuosi on stanssattu koneen arvokilpeen.

Dustcontrol AB



Anna-Lena Berg / Peter Söderling
Toimitusjohtaja / tekninen johtaja

DUSTCONTROL WORLDWIDE

Dustcontrol AB

Box 3088
Kumla Gårdsväg 14
SE-145 03 Norsborg
Tel: +46 8 531 940 00
Fax: +46 8 531 703 05
support@dustcontrol.se
www.dustcontrol.com

AT

Dustcontrol Ges.m.b.H.
Tel: +43 316 428 081
info@dustcontrol.at
www.dustcontrol.at

AU

Archquip - All Preparation Equipment
Tel: +61 7 3217 9877
www.allpreparationequipment.com.au

BENELUX

Dustsolutions B.V.
Tel: +31(0)38-2020154
sales@dustsolutions.nl
www.dustsolutions.nl

BG

Metaltech14 Ltd
Tel: +359 888 255 102,
+359 889 999 593
metaltex14@abv.bg
www.dustcontrolbg.com

CA

Dustcontrol Canada Inc.
Tel: +1 877 844 8784
info@dustcontrol.ca
www.dustcontrol.ca

CH

Rosset Technik Maschinen Werkzeuge AG
Tel: +41 41 462 50 70
info@rosset-technik.ch
www.rosset-technik.ch

CN

Suzhou DustCollect Filtration Technology Co., Ltd.
Tel: +86 180 6800 0359
sale@dustcollect.cn
www.dustcollect.cn

DE

Dustcontrol GmbH
Tel: +49 70 32-97 56 0
info@dustcontrol.de
www.dustcontrol.de

DK

Erenfred Pedersen A/S - Construction
Tel +45 98 13 77 22
info@ep.dk
www.ep.dk

DK

Dansk Procesventilation ApS - Industry
Tel: +45 61 270 870
info@dansk-procesventilation.dk
www.dansk-procesventilation.dk

EE

G-Color Baltic OÜ
Tel: +372 682 5919
sales@g-color.ee
www.g-color.ee

ES

Barin, s.a.
Tel: +34 91 6281428
info@barin.es
www.barin.es

FI

Dustcontrol FIN OY
Tel: +358 9-682 4330
dc@dustcontrol.fi
www.dustcontrol.fi

FR

SMH Equipements-Construction
Tel: +33 (0)2 37 26 00 25
info@abequipements.com
www.smhequipements.com

Dustcontrol AB France- Industry

Tel: +46 8 53194016
hk@dustcontrol.se
www.dustcontrol.com

HU

Vandras Kft
Tel: +36-1-427-0322
Mobile: +36-20-9310-349
vandras@t-online.hu
www.vandras.hu

IN

Advance Ventilation Pvt. Limited
Tel: +91 11 47243296-298
sales@advanceventilation.com
www.advanceventilation.com

IR

BioMedoc International Group
Tel: +44 161 820 8441
info@biomedoc.com
www.biomedoc.com

IT

Airum srl
Tel: +39 (0)516 025 072
info@airum.com
www.airum.com

KR

ESH Engineering Co. Ltd. - Industry
Tel: +82 (0)2 466 7966
eshengco@gmail.com

KR

Concrete Doctor Co. - Construction
Tel: +82 (0)2 2633 3601
chsw3600@cdr.kr

LT

UAB Hidromega
Tel: +370 677 10254
info@hidromega.lt
www.hidromega.lt

LV

SIA Reaktivs
Tel: +371 20282200
reaktivs@reaktivs.lv
www.reaktivs.lv

MY, ID

Blondal Stada (M) Sdn. Bhd.
Tel: +603 5569 1006
info@stada.com.my
www.stada.com.my

NO

Teijo Norge A.S
Tel: +47 3222 6565
firmapost@teijo.no
www.teijo.no

NZ

Artizan Diamond Tools
Tel: (+64) 03 365 4446
enquiry@artizandiamond.co.nz
www.artizandiamond.co.nz

PE

Efixo
Tel: (00511) 583-8541
Cel: (0051) 968-140-066
contacto@efixo.pe
http://www.efixo.pe

PH

Sweden Concrete Machines Philippines Inc.
Tel: +63 917 573 1583
peringe@packoskick.se
www.swedenconcretemachines.ph

PL

Bart Sp. z. o.o.
Tel: +48 32 256 22 33
info@bart-vent.pl
www.bart-vent.pl

PT

Metec-Mecano Técnica, Lda.
Tel: +351 21 797 02 91
geral@metec.pt
www.metec.pt

RO

AWS Elektrotehnik
Tel: +40 0748 288 358
office@awstehnik.ro
www.awstehnik.ro

RU

Movers Trading Company LLC
Tel: +7(812)748-29-89
info@movers-td.ru
www.movers-td.com

SG

Blondal (S) Pte Ltd
Tel: +65 6741 7277
Info@stada.com.my
www.stada.com.my

TH

MCON intertrade Co., Ltd
Tel: +66 (0) 93 935 1442
sales@mconintertrade.com
www.mconintertrade.com

TR

Ventek Mühendislik Ltd
Tel: +90 212 4415596-97
info@ventek.com.tr
www.ventek.com.tr

TW

Goodland Enterprise Co., Ltd.
Tel: +886-2-3234-0206
sales@goodland.com.tw
www.goodland.com.tw

UAE

Global Enterprises Trading Co
Tel: +971-2-555 4733
global@globalentco.com
www.globalentco.com

GEM Industrial Equipment Trading Co

Tel: +971-4-8840 474
gemuae@eim.ae

UA

"MBK "Obshemashkontrakt", JSC
Tel: +38 (0562) 35-66-77
zao@omk.dp.ua
www.omk.dp.ua

UK

Dustcontrol UK Ltd.
Tel: +44 1327 858001
sales@dustcontrol.co.uk
www.dustcontrol.co.uk

US

Dustcontrol Inc.
Tel: +1 910-395-1808
info@dustcontrolusa.com
www.dustcontrol.us

VN

Tayhostar JSC
Tel: +4 2218 0562/+4 2218 0568
tayhostar@tayhostar.vn
www.tayhostar.vn